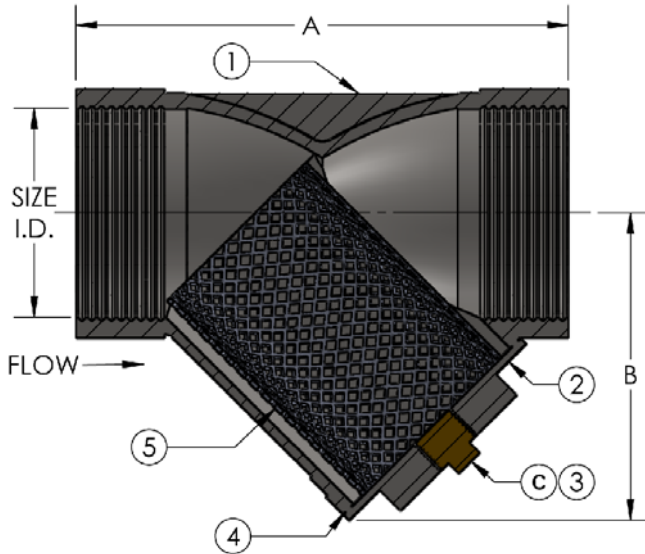




YST0
Wye Strainer-304 Stainless Steel
150# Threaded Strainers



BILL OF MATERIALS		
ITEM	DESCRIPTION	MATERIAL
1	Body	304 Stainless Steel
2	Cap	304 Stainless Steel
3	Blow Off Plug	304 Stainless Steel
4	Gasket	PTFE
5	Screen	304 Stainless Steel

LEAD FREE
 The wetted surfaces of the YST0 contains less than 0.25% lead by weight which complies with state codes and standards (where applicable) that require piping with a reduced lead content.

PRESSURE RATING (psig)				
ANSI CLASS 150				
W.O.G. NON-SHOCK	MAX LIQ.	STEAM	SEAL - MAX (F)	BODY - MAX (F)
200 @ 150 F	200 @ 150 F	N R	250 F	450 F

DEFAULT SCREEN SIZE (in)				
Size	Liquid	Open Area	Steam	Open Area
1/2 - 2	20 MESH	49%		N R

DIMENSIONS (in) / PERFORMANCE				
SIZE	A	B	C	Wt. (lb)
1/2	2-1/4	1-1/2	1/4	0.4
3/4	3	1-7/8	3/8	0.6
1	3-3/8	2-1/8	3/8	1
1-1/4	4	2-1/2	3/8	1.5
1-1/2	4-5/8	3	1/2	2.3
2	5-3/8	3-3/8	1/2	3.5