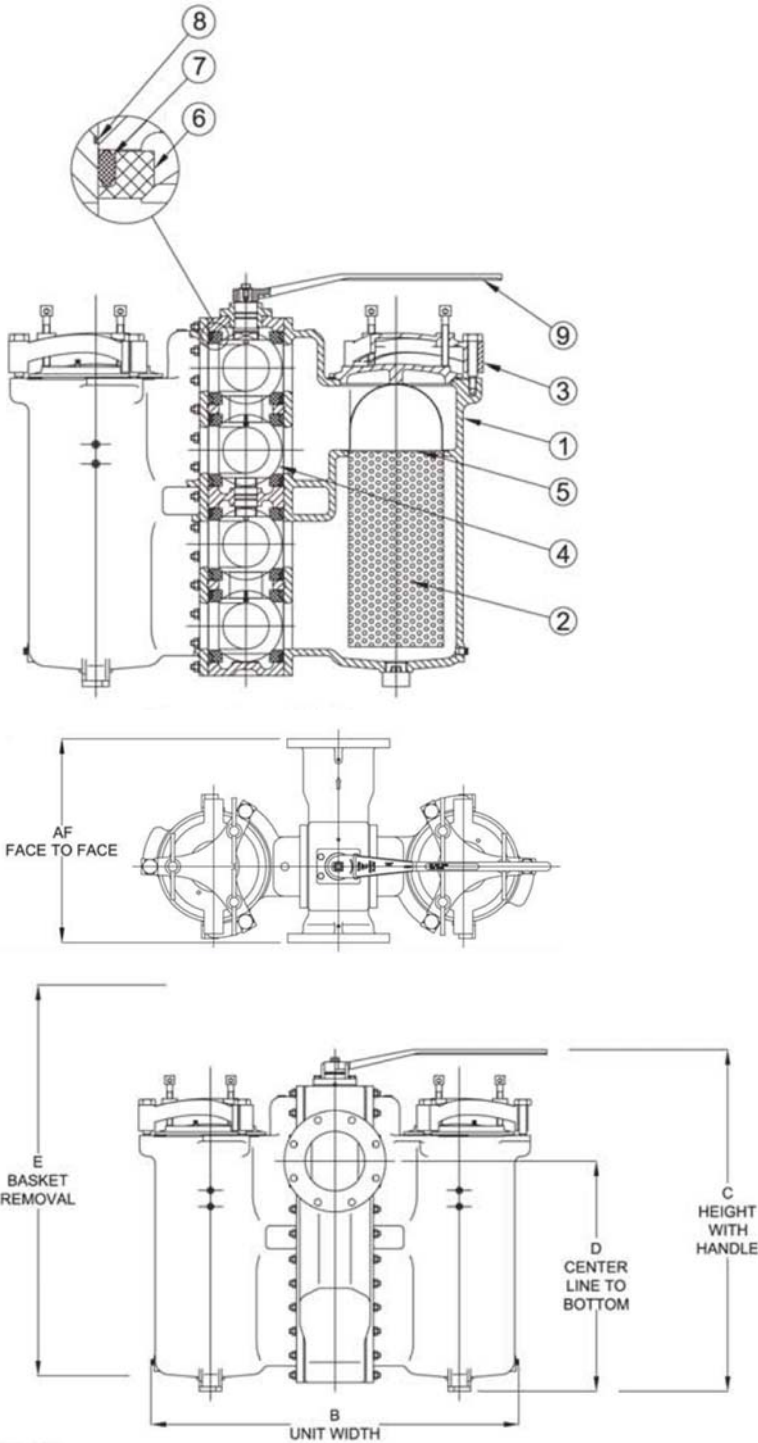


# STAYFLOW

## DSFL Stainless Steel - 150# Flanged Strainers



### PRESSURE RATING (psig) ANSI CLASS 150

W.O.G.	STEAM
275 @ 100 F	N R

#### MATERIAL TEMPERATURE RATINGS

- BUNA-N = -20 TO 250 F
- VITON = -40 TO 400 F
- Stainless Steel Ball = 450 F max

### BILL OF MATERIALS

ITEM	DESCRIPTION	MATERIAL
1	Housing	Stainless Steel - A351 Gr. CF8M
2	Straining Element	Stainless
3	Cover	Stainless Steel - A351 Gr. CF8M
4	Ball	Stainless Steel Type 304
5	Straining Element O-ring	Viton
6	Seat	PTFE
7	Seal	Viton
8	Body O-ring	Viton
9	Handle	Carbon Steel - Zinc Coated

DEFAULT SCREEN - 1/8" PERFORATIONS, 41% OPEN AREA  
ALUMINUM BRONZE BODEIS ALSO AVAILABLE

### DIMENSIONS (in) / PERFORMANCE

SIZE	A	B	C	D	E	Cv	Wt. (lb)
6	22	35.31	35.63	24.45	48	429	850
8	26.75	48.50	45.12	30.39	62	776	726

ASME/ANSI B16.11 - FORGED STEEL FITTINGS, SOCKET-WELDING AND THREADS  
ASME/ANSI B16.5 - PIPE FLANGES AND FLANGED FITTINGS