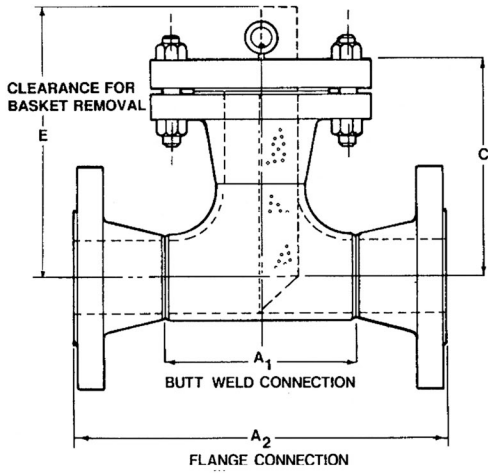


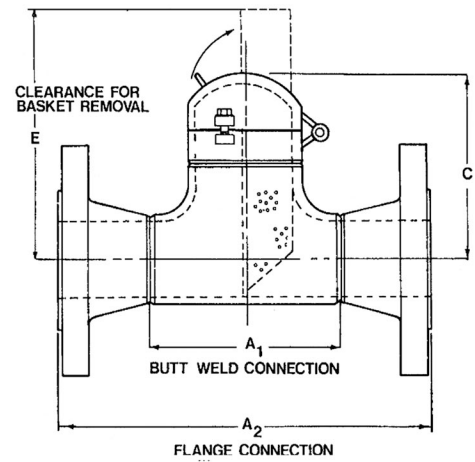
FABRICATED TEE TYPE: BOLTED BLIND

MODEL FTW: BUTTWELD MODEL FTF: FLANGED



FABRICATED TEE TYPE: HINGED COVER

MODEL FTW:Q BUTTWELD MODEL FTFQ: FLANGED



DIMENSIONS

DIMENSIONS (in inches)										NET WEIGHT (lbs) (OF FLANGED UNIT)			
NOM SIZE	BUTTWELD CONN				FLANGED CONN				E	CLASS 150		CLASS 300	
	A ₁	C	A ₁	C	A ₂	C	A ₂	C		LID	UNIT	LID	UNIT


2	5	5 3/4	5	6 1/8	10	5 3/4	10 1/2	6 1/8	13	4	25	8	38
3	6 3/4	7 1/8	6 3/4	7 5/8	12 1/4	7 1/8	13	7 5/8	14	9	50	16	69
4	8 1/4	8 1/8	8 1/4	8 3/4	14 1/4	8 1/8	15	8 3/4	16	17	75	27	115
5	9 3/4	9 3/8	9 3/4	10 1/8	16 3/4	9 3/8	17 1/2	10 1/8	19	20	80	35	151
6	11 1/4	10 1/8	11 1/4	11	18 1/4	10 1/8	19	11	22	26	110	50	206
8	14	12 1/8	14	13	22	12 1/8	22 3/4	13	25	45	185	81	336
10	17	13 3/4	17	15	25	13 3/4	26 1/4	15	29	70	324	127	491
12	20	15 3/4	20	17 1/8	29	15 3/4	30 1/4	17 1/8	31	110	410	184	730
14	22	17 3/8	22	18 3/4	32	17 3/8	33 1/4	18 3/4	38	131	615	236	966
16	24	18 1/2	24	20	34	18 1/2	35 1/2	20	41	170	776	307	1264
18	27	20 5/8	27	22 1/8	38	20 5/8	39 1/2	22 1/8	46	209	920	390	1587
20	30	22 3/8	30	23 7/8	41 3/8	22 3/8	42 3/4	23 7/8	51	272	1180	492	1980
24	34	24 7/8	34	26 3/8	46	24 7/8	47 1/4	26 3/8	56	411	2190	594	2722

DIMENSIONS (in inches)										NET WEIGHT (lbs) (OF FLANGED UNIT)			
NOM SIZE	BUTTWELD CONN				FLANGED CONN				E	CLASS 150		CLASS 300	
	A ₁	C	A ₁	C	A ₂	C	A ₂	C		LID**	UNIT	LID**	UNIT

2	-	-	-	-	-	-	-	-	-	-	-	-	-
3	-	-	-	-	-	-	-	-	-	-	-	-	-
4	-	-	-	-	-	-	-	-	-	-	-	-	-
5	-	-	-	-	-	-	-	-	-	-	-	-	-
6	11 1/4	9 1/4	11 1/4	9 1/4	18 1/4	9 1/4	19	9 1/4	22	5	108	5	142
8	14	11 1/8	14	11 1/8	22	11 1/8	22 3/4	11 1/8	25	9	156	9	208
10	17	13 1/2	17	13 1/2	25	13 1/2	26 1/2	13 1/2	29	12	231	12	330
12	20	15 5/8	20	15 5/8	29	15 5/8	30 1/4	15 5/8	31	15	342	15	458
14	22	17 1/8	22	17 1/8	32	17 1/8	33 1/4	17 1/8	38	20	435	20	610
16	24	18 5/8	24	18 5/8	34	18 5/8	35 1/2	18 5/8	41	26	540	26	781
18	27	21 7/8	27	21 7/8	38	21 7/8	39 1/2	21 7/8	46	32	660	32	990
20	30	23 5/8	30	23 5/8	41 3/8	23 5/8	42 3/4	23 5/8	51	40	806	40	1222
24	34	27 1/8	34	27 1/8	46	27 1/8	47 1/4	27 1/8	56	58	1085	58	1755

**force required to lift lid in lbs.

CUSTOMER: _____
 PROJECT: _____
 ENGINEER: _____

REV. 0	DATE 1/1/2013
	
STAYFLOW 312-428-4750	
<h2>FABRICATED T STRAINER</h2>	
DRAWN BY:	DATE:
APPROVED:	DATE:
SCALE: NONE	DRAWING NUMBER: