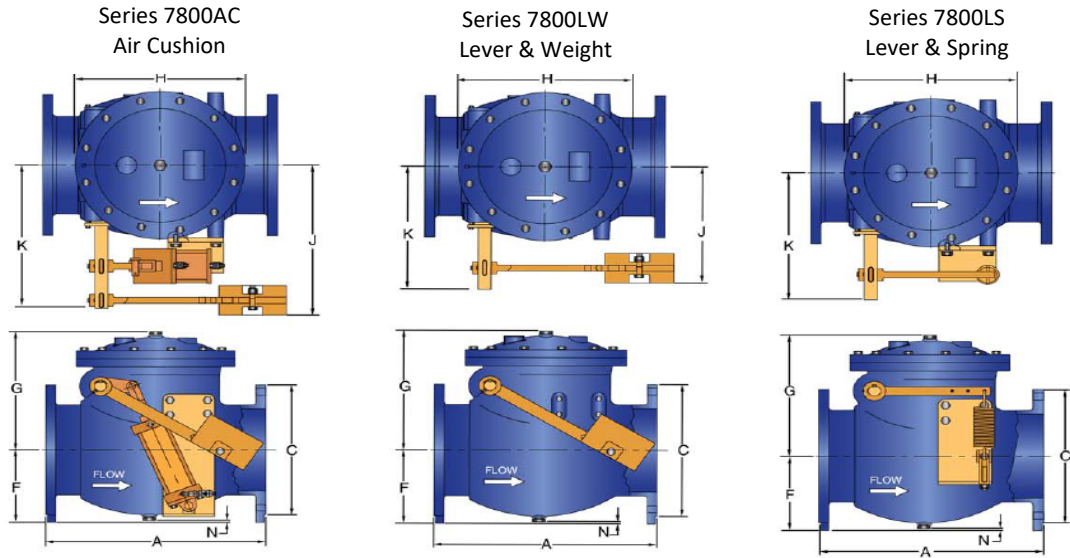


SWINGCHECK 7000 SUBMITTAL 1



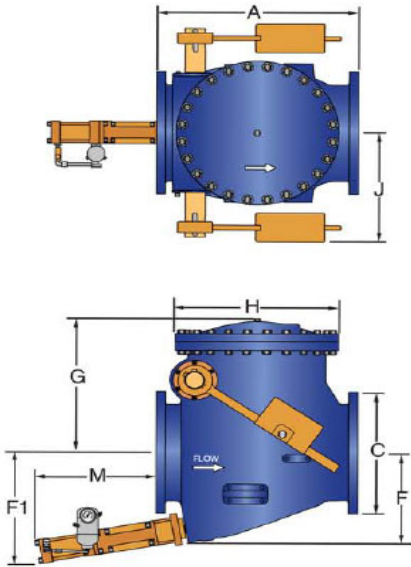
Valve Size	CWP (psig)	A (in)	C (in)	F (in)	G (in)	H (in)	J (in)	K (in)	N* (in)	AC Valve Weights (lbs)	LW Valve Weights (lbs)	LS Valve Weights (lbs)
2	250	8.00	6.00	3.00	4.34	5.39	4.38	4.21	0.27	-	104	102
2 1/2	250	8.50	7.00	3.50	4.34	5.78	7.00	6.77	0.62	-	115	112
3	250	9.50	7.50	3.75	6.69	7.01	7.38	6.97	0.46	133	123	119
4	250	11.50	9.00	4.50	7.60	7.87	8.63	8.23	0.43	180	165	154
6	250	14.00	11.00	6.69	10.53	12.60	12.50	12.22	0.59	276	256	240
8	250	19.50	13.50	8.46	12.80	15.75	15.75	15.16	0.97	400	375	335
10	250	24.50	16.00	8.66	14.33	17.52	17.38	16.61	-0.13	570	535	491
12	250	27.50	19.00	10.63	17.32	19.88	17.88	17.32	0.30	850	810	756
14	250	31.00	21.00	12.50	19.96	23.88	23.13	22.63	-0.04	1114	1064	1,011
16	250	36.00	23.50	13.75	21.22	26.50	25.00	24.25	-0.29	1303	1253	1,177
18	250	40.00	25.00	15.00	23.22	27.88	26.38	25.63	-0.16	1571	1521	1,431
20	250	40.00	27.50	16.00	24.94	30.44	28.25	27.50	-0.66	1940	1890	1,764
24	250	48.00	32.00	18.50	30.34	36.63	32.75	32.13	0.90	3112	3052	2,837
30	150	56.00	38.75	22.00	38.47	43.81	40.75	39.81	-0.87	5574	5514	5134
	250											
36	150	63.00	46.00	25.50	43.22	51.41	45.06	43.81	-1.89	8211	8151	7693
	250											
42	150	70.00	53.00	29.25	49.80	59.88	50.00	48.50	-2.38	11460	11380	10680
	250											
48	150	76.00	59.50	32.75	56.38	68.38	55.13	53.00	-2.63	16780	16780	15940
	250											

* Dimension "N" with negative numbers extend past bottom of integral mounting pads (flange feet).

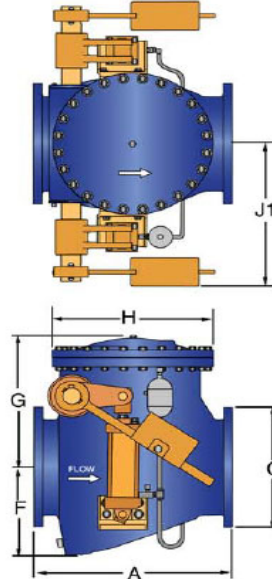
CUSTOMER _____ PROJECT _____ ENGINEER _____ CONTRACTOR _____ CERTIFICATION _____	
MODEL: _____ DRAWN BY: _____ PDB 3/22/20	SWINGCHECK 7000 STAYFLOW CHECK VALVES

SWINGCHECK 7000 SUBMITTAL 2

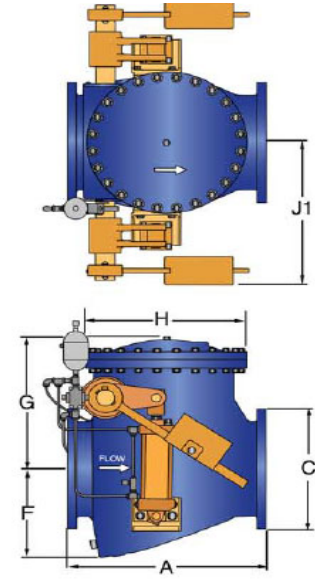
Series 7800B
Bottom Oil Cushion



Series 7900S2
2-Stage Side Oil Cushion



Series 7900S3
3-Stage Side Oil Cushion



Valve Size*	CWP (psig)	A	C	F	F1	G	H	J Typ.	J1 Typ.	M	Bottom Valve Weights	Side Valve Weights
		(in)	(in)	(in)	(in)	(in)	(in)	(in)	(in)	(in)	(lbs)	(lbs)
8	200	19.50	13.50	11.25	12.75	15.50	16.50	13.25	18.00	13.50	450	650
10	200	24.50	16.00	13.38	15.13	17.75	19.75	14.25	20.00	15.00	675	980
12	200	27.50	19.00	14.56	16.44	20.16	22.63	16.13	22.00	14.13	960	1400
14	150	31.00	21.00	17.06	19.75	22.25	25.38	18.00	26.56	18.50	1345	1780
16	150	36.00	23.50	18.50	21.25	26.50	28.25	21.63	28.75	17.00	1840	2450
18	150	40.00	25.00	19.25	23.00	28.00	30.88	23.13	31.13	21.00	2360	3130
20	150	40.00	27.50	20.50	24.25	30.25	32.50	24.63	32.63	21.50	2990	3625
24	150	48.00	32.00	24.88	28.50	36.25	38.75	29.50	39.50	24.38	4885	6100
30	150	56.00	38.75	29.50	34.06	38.50	43.81	32.00	-	26.56	6735	-
36	150	63.00	46.00	34.56	39.63	45.00	so.so	36.00	-	32.00	10300	-
42	150	70.00	53.00	40.00	44.13	51.50	56.75	40.00	-	37.50	14800	-
48	150	76.00	59.50	45.13	48.00	57.63	62.50	43.25	-	42.50	20000	-

* Valve Sizes 8" - 12" only have a single lever and weight.

CUSTOMER _____ PROJECT _____ ENGINEER _____ CONTRACTOR _____ CERTIFICATION _____	
MODEL: _____	SWINGCHECK 7000
DRAWN BY: PDB 3/22/20	STAYFLOW CHECK VALVES