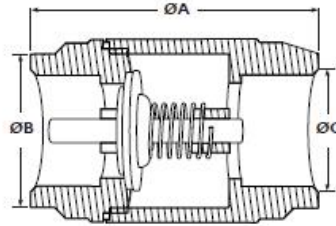
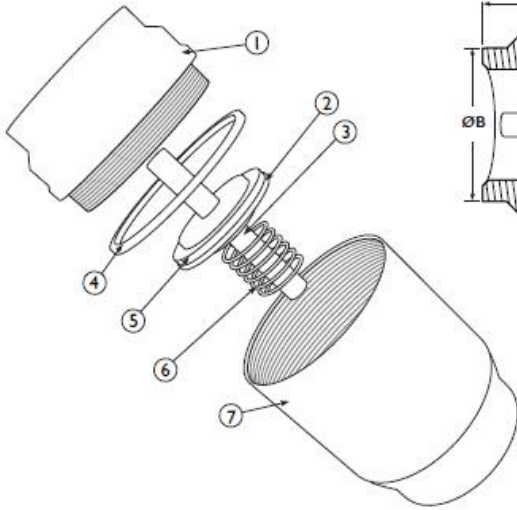




# VCSIL-ST1VXT Silent Check Valve

Thread Style, Class 300, SS Body, SS Disc, Viton Seat



**Design Notes:**

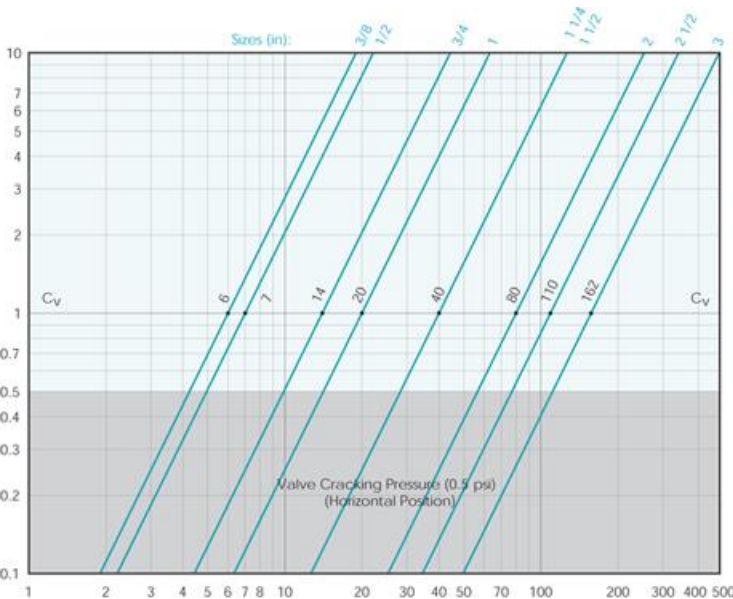
1. Size range: 3/8" ~ 3"
2. ANSI Class 300
3. Low cracking pressure
4. Minimal head loss
5. Low pressure drop
6. Spring assisted design
7. Long stem for smooth closure
8. Viton Seat for long service life

**BILL OF MATERIALS**

NO.	PART	MATERIAL
1	Cap	ASTM A351 Gr. CF8M Stainless Steel
2	Disc	Stainless Steel 18-8
3	Stem	ASTM A351 Gr. CF8M Stainless Steel
4	Gasket	PTFE
5	Seat	Viton
6	Spring	Type 316 Stainless Steel
7	Body	ASTM A351 Gr. CF8M Stainless Steel

**DIMENSIONS & PERFORMANCE DATA**

SIZE	3/8	1/2	3/4	1	1.25	1.5	2	2.5	3
A (in)	2.086	2.204	2.480	2.913	3.188	3.582	3.818	4.660	5.500
B (in)	0.905	1.181	1.620	1.878	2.165	2.775	3.228	4.312	4.900
C (in)	0.669	0.826	1.023	1.259	1.614	1.850	2.322	2.625	3.250
WT (lb)	0.3	0.4	0.5	1.0	1.5	2.5	3.5	6.0	8.5
Cx	6	7	14	20	40	40	80	110	162



**PRESS/TEMP RATINGS**

WOG	720PSI @ 100°F
Viton	-4 to 392°F MAX
Spring	450°F

