

MAX NON-SHOCK
WORKING PSI

TEMPERATURE	CLASS 125	CLASS 250
150°F	200	400
200°F	190	370

LEAD FREE

The wetted surface of this product contacted by consumable water contains less than one quarter of one percent (0.25%) of lead by weight. Material complies with state codes and standards, where applicable, requiring reduced lead content.

Notes:


Valve is designed for liquid service only. Install 5 to 10 pipe diameters downstream from pump discharge or elbows to avoid flow turbulence. Valve is designed to be mated to ANSI B16.5 steel flanges.

Valve complies with MSS-SP-125-2010.

ITEM	PART NAME	MATERIAL	ASTM NO.
1	BODY	CAST IRON	A126 CL. B
2	SEAT	DUCTILE IRON	A536, Ni Coat
3	PLUG	DUCTILE IRON	A536, Ni Coat
4	SPRING	STAINLESS	T304
5	BUSHING	STAINLESS	T304
6	SCREW	STAINLESS	T304
7	O-RING	EPDM	D2000

ANSI CLASS 125 & 250							
Qty.	Part Number	Size I.D. (in)	A (in)	B (in)	Cv*	Weight (Lbs)	Project Info
	VCSIL-IW1NE0200	2	4-1/4	2-5/8	66	5	
	VCSIL-IW1NE0250	2-1/2	5	2-7/8	88	8	
	VCSIL-IW1NE0300	3	5-3/4	3-1/8	130	11	
	VCSIL-IW1NE0400	4	7	4	228	18	
	VCSIL-IW1NE0500	5	8-3/8	4-3/4	350	27	
	VCSIL-IW1NE0600	6	9-3/4	5-1/2	520	52	
ANSI CLASS 125 ONLY							
	VCSIL-IW1NE0800	8	13-3/8	6-1/2	900	86	
	VCSIL-IW1NE1000	10	16	8-1/4	1450	129	
ANSI CLASS 250 ONLY							
	VCSIL-IW2NE0800	8	13-3/8	6-1/2	900	92	
	VCSIL-IW2NE1000	10	16	8-1/4	1450	137	

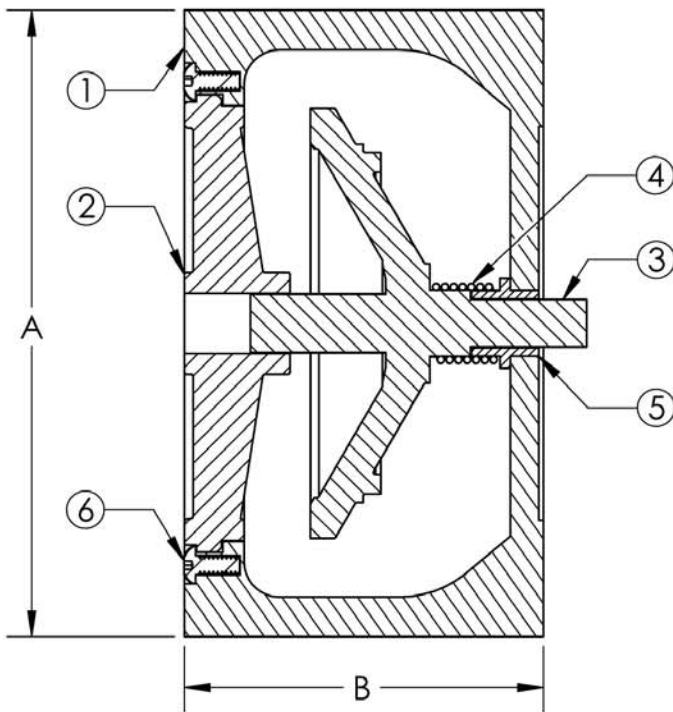
*Cv is the number of U.S. gallons/minute of 60°F water that will flow through a valve with 1 PSI of pressure drop across the valve.

REV. 0	DATE 1/1/2013
	
STAYFLOW 312-428-4750	
MODEL VCSIL-IWNE WAFER STYLE SILENT CHECK VALVE W/ NICKEL COATED DUCTILE IRON TRIM	
DRAWN BY:	DATE:
APPROVED:	DATE:
SCALE:	DRAWING NUMBER: VCSIL-IWNE

CUSTOMER: _____

PROJECT: _____

ENGINEER: _____



MAX NON-SHOCK
WORKING PSI

TEMPERATURE	CLASS 125	CLASS 250
150°F	200	400
200°F	190	370

LEAD FREE

The wetted surface of this product contacted by consumable water contains less than one quarter of one percent (0.25%) of lead by weight. Material complies with state codes and standards, where applicable, requiring reduced lead content.

Notes:

Valve is designed for liquid service only. Install 5 to 10 pipe diameters downstream from pump discharge or elbows to avoid flow turbulence. Valve is designed to be mated to ANSI B16.5 steel flanges.

Valve complies with MSS-SP-125-2010.

ITEM	PART NAME	MATERIAL	ASTM NO.
1	BODY	CAST IRON	A126 CL. B
2	SEAT	STAINLESS	T304
3	PLUG	STAINLESS	T304
4	SPRING	STAINLESS	T304
5	BUSHING	STAINLESS	T304
6	SCREW	STAINLESS	T304


ANSI CLASS 125 & 250							
Qty.	Part Number	Size I.D. (in)	A (in)	B (in)	Cv*	Weight (Lbs)	Project Info
	VCSIL-IW1SX0200	2	4-1/4	2-5/8	66	6	
	VCSIL-IW1SX0250	2-1/2	5	2-7/8	88	8	
	VCSIL-IW1SX0300	3	5-3/4	3-1/8	130	11	
	VCSIL-IW1SX0400	4	7	4	228	18	
	VCSIL-IW1SX0500	5	8-3/8	4-3/4	350	28	
	VCSIL-IW1SX0600	6	9-3/4	5-1/2	520	43	
ANSI CLASS 125 ONLY							
	VCSIL-IW1SX0800	8	13-3/8	6-1/2	900	86	
	VCSIL-IW1SX1000	10	16	8-1/4	1450	133	
ANSI CLASS 250 ONLY							
	VCSIL-IW2SX0800	8	13-3/8	6-1/2	900	88	
	VCSIL-IW2SX1000	10	16	8-1/4	1450	137	

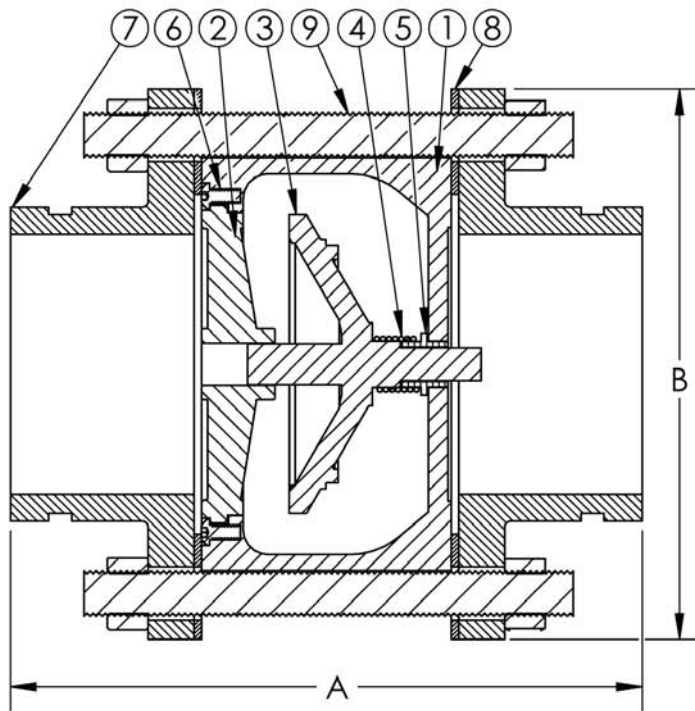
*Cv is the number of U.S. gallons/minute of 60°F water that will flow through a valve with 1 PSI of pressure drop across the valve.

CUSTOMER: _____

PROJECT: _____

ENGINEER: _____

REV. 0	DATE 1/1/2013
	
STAYFLOW 312-428-4750	
MODEL VCSIL-IWSX WAFER STYLE SILENT CHECK VALVE W/ SS TRIM	
DRAWN BY:	DATE:
APPROVED:	DATE:
SCALE:	DRAWING NUMBER: VCSILIWSX



MAX NON-SHOCK
WORKING PSI

TEMPERATURE	PSI
150°F	200
200°F	190

ITEM	PART NAME	MATERIAL	ASTM NO.
1	BODY	CAST IRON	A126 CL. B
2	SEAT	STAINLESS	T304
3	PLUG	STAINLESS	T304
4	SPRING	STAINLESS	T304
5	BUSHING	STAINLESS	T304
6	SCREW	STAINLESS	T304
7	GROOVED END	DUCTILE IRON	A395
8	150# GASKET	GRAPHITE	N/A
9	THREADED ROD	CARBON STEEL	A307

LEAD FREE

The wetted surface of this product contacted by consumable water contains less than one quarter of one percent (0.25%) of lead by weight. Material complies with state codes and standards, where applicable, requiring reduced lead content.

Notes:

Valve is designed for liquid service only. Install 5 to 10 pipe diameters downstream from pump discharge or elbows to avoid flow turbulence.

Valve complies with MSS-SP-125-2010.


Qty.	Part Number	Valve Size (in)	A (in)	B (in)	Cv*	Weight (Lbs)	Project Info
	VCSIL-IWGSX0200	2	6	6	66	14	
	VCSIL-IWGSX0250	2-1/2	6-1/4	7	88	20	
	VCSIL-IWGSX0300	3	6-7/16	7-1/2	130	26	
	VCSIL-IWGSX0400	4	8-1/8	9	228	42	
	VCSIL-IWGSX0500	5	11-1/4	10	350	60	
	VCSIL-IWGSX0600	6	12-1/4	11	520	79	
	VCSIL-IWGSX0800	8	13-3/4	13-1/2	900	152	
	VCSIL-IWGSX1000	10	16	16	1450	225	

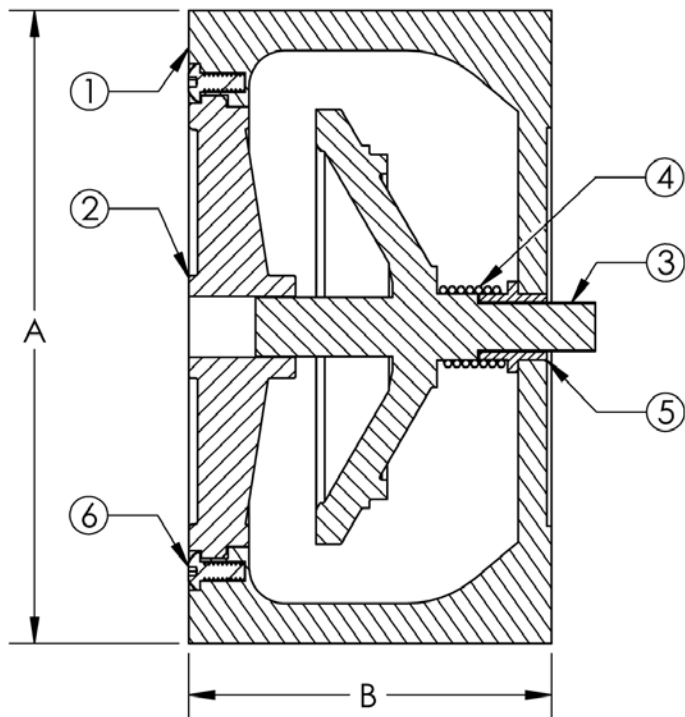
*Cv is the number of U.S. gallons/minute of 60°F water that will flow through a valve with 1 PSI of pressure drop across the valve.

CUSTOMER: _____

PROJECT: _____

ENGINEER: _____

REV. 0	DATE 1/1/2013
	
STAYFLOW 312-428-4750	
MODEL VCSIL-IWGSX GROOVED-END WAFER STYLE SILENT CHECK VALVE W/ SS TRIM	
DRAWN BY:	DATE:
APPROVED:	DATE:
SCALE:	DRAWING NUMBER: SIL-IWGSX



MAX NON-SHOCK
WORKING PSI

TEMPERATURE	CLASS 125	CLASS 250
150°F	200	400
200°F	190	370

ITEM	PART NAME	MATERIAL	ASTM NO.
1	BODY	CAST IRON	A126 CL. B
2	SEAT	BRONZE	B584
3	PLUG	BRONZE	B584
4	SPRING	STAINLESS	T304
5	BUSHING	BRONZE	B584
6	SCREW	STAINLESS	T304

Notes:

Valve is designed for liquid service only. Install 5 to 10 pipe diameters downstream from pump discharge or elbows to avoid flow turbulence. Valve is designed to be mated to ANSI B16.5 steel flanges.

Valve complies with MSS-SP-125-2010.

ANSI CLASS 125 & 250


Qty.	Part Number	Size I.D. (in)	A (in)	B (in)	Cv*	Weight (Lbs)	Project Info
	VCSIL-IW1BX0200	2	4-1/4	2-5/8	66	6	
	VCSIL-IW1BX0250	2-1/2	5	2-7/8	88	8	
	VCSIL-IW1BX0300	3	5-3/4	3-1/8	130	11	
	VCSIL-IW1BX0400	4	7	4	228	18	
	VCSIL-IW1BX0500	5	8-3/8	4-3/4	350	30	
	VCSIL-IW1BX0600	6	9-3/4	5-1/2	520	43	
ANSI CLASS 125 ONLY							
	VCSIL-IW1BX0800	8	13-3/8	6-1/2	900	90	
	VCSIL-IW1BX1000	10	16	8-1/4	1450	140	
ANSI CLASS 250 ONLY							
	VCSIL-IW2BX0800	8	13-3/8	6-1/2	900	96	
	VCSIL-IW2BX1000	10	16	8-1/4	1450	156	

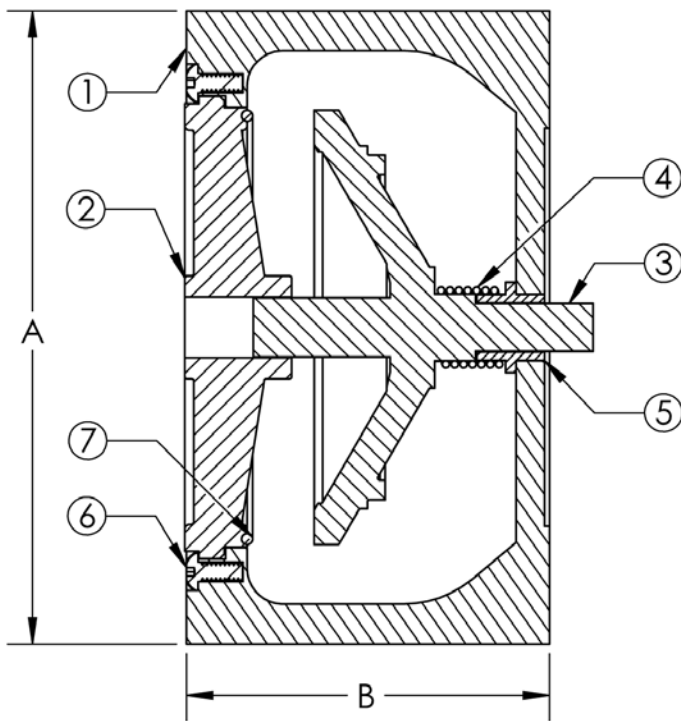
*Cv is the number of U.S. gallons/minute of 60°F water that will flow through a valve with 1 PSI of pressure drop across the valve.

CUSTOMER: _____

PROJECT: _____

ENGINEER: _____

REV. 0	DATE 1/1/2013
	
STAYFLOW 312-428-4750	
MODEL VCSIL-IWBX	
WAFER STYLE SILENT CHECK VALVE W/ BRONZE TRIM	
DRAWN BY: _____	DATE: _____
APPROVED: _____	DATE: _____
SCALE: NONE	DRAWING NUMBER: VCSIL-IWBX



MAX NON-SHOCK
WORKING PSI

TEMPERATURE	CLASS 125	CLASS 250
150°F	200	400
200°F	190	370

ITEM	PART NAME	MATERIAL	ASTM NO.
1	BODY	CAST IRON	A126 CL. B
2	SEAT	BRONZE	B584
3	PLUG	BRONZE	B584
4	SPRING	STAINLESS	T304
5	BUSHING	BRONZE	B584
6	SCREW	STAINLESS	T304
7	SEAL	BUNA	D2000

Notes:

Valve is designed for liquid service only. Install 5 to 10 pipe diameters downstream from pump discharge or elbows to avoid flow turbulence. Valve is designed to be mated to ANSI B16.5 steel flanges.

Valve complies with MSS-SP-125-2010.

ANSI CLASS 125 & 250

Qty.	Part Number	Size I.D. (in)	A (in)	B (in)	Cv*	Weight (Lbs)	Project Info
	CVOBN702	2	4-1/4	2-5/8	66	6	
	CVOBN7025	2-1/2	5	2-7/8	88	8	
	CVOBN703	3	5-3/4	3-1/8	130	11	
	CVOBN704	4	7	4	228	20	
	CVOBN705	5	8-3/8	4-3/4	350	30	
	CVOBN706	6	9-3/4	5-1/2	520	43	

ANSI CLASS 125 ONLY

	CVOBN708	8	13-3/8	6-1/2	900	90	
	CVOBN710	10	16	8-1/4	1450	140	

ANSI CLASS 250 ONLY

	CVOBN758	8	13-3/8	6-1/2	900	96	
	CVOBN760	10	16	8-1/4	1450	156	

*Cv is the number of U.S. gallons/minute of 60°F water that will flow through a valve with 1 PSI of pressure drop across the valve.

REV. 0

DATE 1/1/2013



STAYFLOW
312-428-4750

CUSTOMER: _____

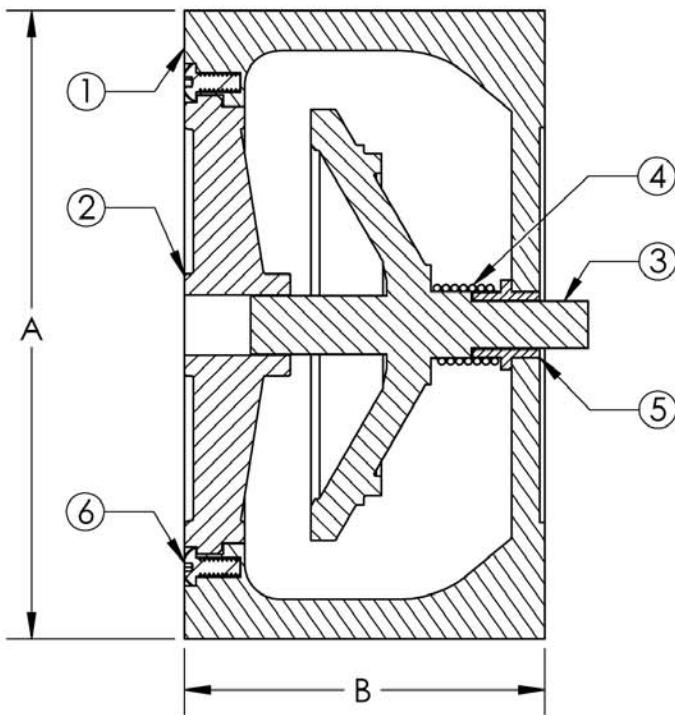
PROJECT: _____

ENGINEER: _____

MODEL VCSIL-IWBB

WAFER STYLE SILENT CHECK VALVE W/ BRONZE TRIM & BUNA SEAT

DRAWN BY:	DATE:
APPROVED:	DATE:
SCALE:	DRAWING NUMBER: VCSIL-IWBB



LEAD FREE

The wetted surface of this product contacted by consumable water contains less than one quarter of one percent (0.25%) of lead by weight. Material complies with state codes and standards, where applicable, requiring reduced lead content.

ITEM	PART NAME	MATERIAL	ASTM NO.
1	BODY	CAST IRON	ASTM A48
2	SEAT	STAINLESS	T304
3	PLUG	STAINLESS	T304
4	SPRING	STAINLESS	T304
5	BUSHING	STAINLESS	T304
6	SCREW	STAINLESS	T304

Notes:

Valve is designed for liquid service only. Install 5 to 10 pipe diameters downstream from pump discharge or elbows to avoid flow turbulence. Valve is designed to be mated to ANSI B16.5 steel flanges.

Valve complies with MSS-SP-125-2010.

ANSI CLASS 125 & 250								
Qty.	Part Number	Size I.D. (in)	A (in)	B (in)	Cv*	Weight (Lbs)	Pressure (PSI)	Project Info
	VCSIL-IW1SXFM0200	2	4-1/4	2-5/8	66	6	175	
	VCSIL-IW1SXFM0250	2-1/2	5	2-7/8	88	8	175	
	VCSIL-IW1SXFM0300	3	5-3/4	3-1/8	130	11	175	
	VCSIL-IW1SXFM0400	4	7	4	228	18	175	
	VCSIL-IW1SXFM0500	5	8-3/8	4-3/4	350	28	175	
	VCSIL-IW1SXFM0600	6	9-3/4	5-1/2	520	43	175	
ANSI CLASS 125 ONLY								
	VCSIL-IW1SXFM0800	8	13-3/8	6-1/2	900	86	175	
	VCSIL-IW1SXFM1000	10	16	8-1/4	1450	133	175	
ANSI CLASS 250 ONLY								
	VCSIL-IW2SXFM0800	8	13-3/8	6-1/2	900	88	175	
	VCSIL-IW2SXFM1000	10	16	8-1/4	1450	137	175	

*Cv is the number of U.S. gallons/minute of 60°F water that will flow through a valve with 1 PSI of pressure drop across the valve.

CUSTOMER: _____

PROJECT: _____

ENGINEER: _____

REV. 0 DATE 1/1/2013



STAYFLOW
312-428-4750

MODEL VCSIL-IWSXFM

WAFER STYLE SILENT CHECK VALVE W/ SS TRIM - FM APPROVED

DRAWN BY: _____ DATE: _____
APPROVED: _____ DATE: _____

SCALE: NONE DRAWING NUMBER: VCSILIWSXFM