

MAX NON-SHOCK
WORKING PSI

TEMPERATURE	PSI
150°F	200
200°F	190

125# CLASS



LEAD FREE

The wetted surface of this product contacted by consumable water contains less than one quarter of one percent (0.25%) of lead by weight. Material complies with state codes and standards, where applicable, requiring reduced lead content.

ITEM	PART NAME	MATERIAL	ASTM NO.
1	BODY	CAST IRON	A126 CL. B
2	SEAT	DUCTILE IRON	A536, Ni COAT
3	PLUG	DUCTILE IRON	A536, Ni COAT
4	SPRING	STAINLESS	T304
5	BUSHING	STAINLESS	T304
6	O-RING	EPDM	D2000
7	SCREW	STAINLESS	T304

Notes:

Valve is designed for liquid service only. Install 5 to 10 pipe diameters downstream from pump discharge or elbows to avoid flow turbulence. The intake side of series | check valves must be mated to a ANSI B16.5 flat faced steel flange. The discharge side can be mated to a ANSI B16.5 flat faced steel flange, or for sizes 2-1/2" through 10", a wafer style butterfly valve without the use of spools or adaptors.

Valve complies with MSS-SP-125-2010.

2-1/2" valve trim is threaded into body.

Qty.	Part Number	Size I.D. (in)	A (in)	B (in)	C (in)	D (in)	E (in)	Cv*	Weight (Lbs)	Bolt Size (in)	Number Of Bolts
	VCSIL-IG1NE0250	2-1/2	7	5-1/2	5-1/2	11/16	1-3/16	110	20	5/8	4
	VCSIL-IG1NE0300	3	7-1/2	6	6	15/16	1-3/8	155	26	5/8	4
	VCSIL-IG1NE0400	4	9	7-1/4	7-1/4	15/16	1-3/4	278	44	5/8	8
	VCSIL-IG1NE0500	5	10	8-1/2	8-1/2	15/16	2	435	56	3/4	8
	VCSIL-IG1NE0600	6	11	9-3/4	9-1/2	1	2-1/2	625	79	3/4	8
	VCSIL-IG1NE0800	8	13-1/2	12-1/2	11-3/4	1-1/8	3-1/4	1115	137	3/4	8
	VCSIL-IG1NE1000	10	16	15-1/2	14-1/4	1-3/16	4-1/4	1770	223	7/8	12
	VCSIL-IG1NE1200	12	19	14-1/4	17	1-1/4	**	2500	298	7/8	12

*Cv is the number of U.S. gallons/minute of 60°F water that will flow through a valve with 1 PSI of pressure drop across the valve.

**Plug stem protrudes 3/4" past end of valve in the full-open position.

PROJECT INFO	

REV.	DESCRIPTION	DATE
1	DRAWING REVISED	10/14/2013



STAYFLOW
312-428-4750

MODEL VCSIL-IG1NE

2.5" - 12" 125# GLOBE STYLE SILENT CHECK VALVE
W/ NICKEL COATED DUCTILE IRON TRIM

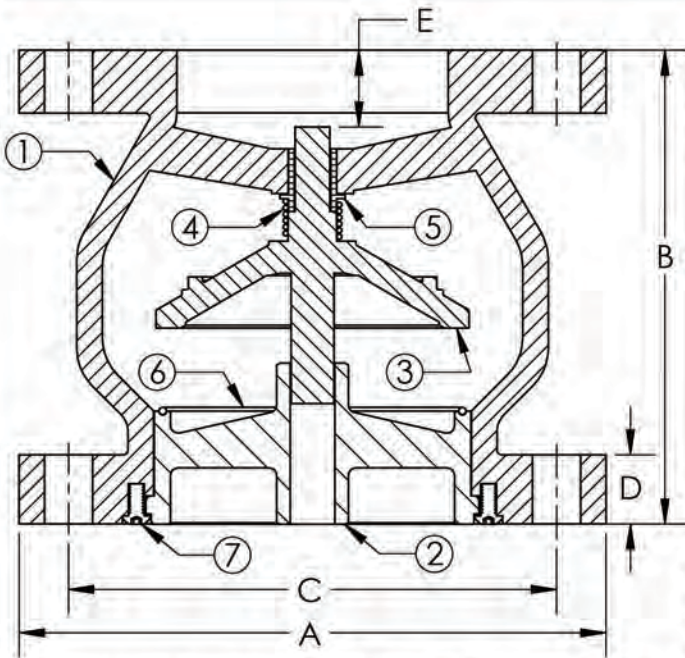
DRAWN BY:	DATE: 8/27/2013
APPROVED:	DATE: 8/27/2013

SCALE: NONE	DRAWING NUMBER:
--------------------	-----------------

CUSTOMER: _____

PROJECT: _____

ENGINEER: _____



MAX NON-SHOCK
WORKING PSI

TEMPERATURE	PSI
150°F	400
200°F	370

250# CLASS



LEAD FREE

The wetted surface of this product contacted by consumable water contains less than one quarter of one percent (0.25%) of lead by weight. Material complies with state codes and standards, where applicable, requiring reduced lead content.

ITEM	PART NAME	MATERIAL	ASTM NO.
1	BODY	CAST IRON	A126 CL. B
2	SEAT	DUCTILE IRON	A536, Ni COAT
3	PLUG	DUCTILE IRON	A536, Ni COAT
4	SPRING	STAINLESS	T304
5	BUSHING	STAINLESS	T304
6	O-RING	EPDM	D2000
7	SCREW	STAINLESS	T304

Notes:

Valve is designed for liquid service only. Install 5 to 10 pipe diameters downstream from pump discharge or elbows to avoid flow turbulence. The intake side of series check valves must be mated to a ANSI B16.5 flat faced steel flange. The discharge side can be mated to a ANSI B16.5 flat faced steel flange, or for sizes 2-1/2" through 10", a wafer style butterfly valve without the use of spools or adaptors.

Valve complies with MSS-SP-125-2010.

2-1/2" valve trim is threaded into body.

Qty.	Part Number	Size I.D. (in)	A (in)	B (in)	C (in)	D (in)	E (in)	Cv*	Weight (Lbs)	Bolt Size (in)	Number Of Bolts
	VCSIL-IG2NE0250	2-1/2	7-1/2	5-1/2	5-7/8	1	1-7/16	110	25	3/4	8
	VCSIL-IG2NE0300	3	8-1/4	6	6-5/8	1-1/8	1-3/8	155	34	3/4	8
	VCSIL-IG2NE0400	4	10	7-1/4	7-7/8	1-1/4	1-3/4	278	59	3/4	8
	VCSIL-IG2NE0500	5	11	8-1/2	9-1/4	1-3/8	2	435	74	3/4	8
	VCSIL-IG2NE0600	6	12-1/2	9-3/4	10-5/8	1-7/16	2-1/2	625	100	3/4	12
	VCSIL-IG2NE0800	8	15	12-1/2	13	1-5/8	3-1/4	1115	177	7/8	12
	VCSIL-IG2NE1000	10	17-1/2	15-1/2	15-1/4	1-7/8	4-1/4	1770	255	1	16
	VCSIL-IG2NE1200	12	20-1/2	14-1/4	17-3/4	2	**	2500	375	1-1/8	16

*Cv is the number of U.S. gallons/minute of 60°F water that will flow through a valve with 1 PSI of pressure drop across the valve.

**Plug stem protrudes 3/4" past end of valve in the full-open position.

PROJECT INFO	

REV.	DESCRIPTION	DATE
1	DRAWING REVISED	10/14/2013



STAYFLOW
312-428-4750

MODEL VCSIL-IG2NE

2.5" - 12" 250# GLOBE STYLE SILENT CHECK VALVE
W/ NICKEL COATED DUCTILE IRON TRIM

DRAWN BY: _____ DATE: **8/27/2013**

APPROVED: _____ DATE: **8/27/2013**

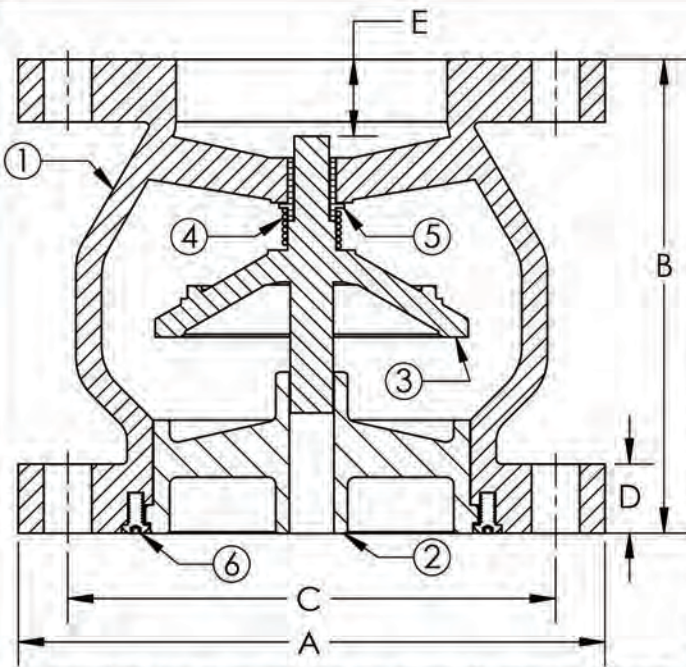
SCALE: _____ DRAWING NUMBER: _____

NONE

CUSTOMER: _____

PROJECT: _____

ENGINEER: _____



125# CLASS

MAX NON-SHOCK
WORKING PSI

TEMPERATURE	PSI
150°F	200
200°F	190

LEAD FREE

The wetted surface of this product contacted by consumable water contains less than one quarter of one percent (0.25%) of lead by weight. Material complies with state codes and standards, where applicable, requiring reduced lead content.

Notes:

Valve is designed for liquid service only. Install 5 to 10 pipe diameters downstream from pump discharge or elbows to avoid flow turbulence. The intake side of series check valves must be mated to a ANSI B16.5 flat faced steel flange. The discharge side can be mated to a ANSI B16.5 flat face steel flange or a wafer style butterfly valve without the use of spools or adapters.

Valve complies with MSS-SP-125-2010.

2-1/2" valve trim is threaded into body.

ITEM	PART NAME	MATERIAL	ASTM NO.
1	BODY	CAST IRON	A126 CL. B
2	SEAT	STAINLESS	T304
3	PLUG	STAINLESS	T304
4	SPRING	STAINLESS	T304
5	BUSHING	STAINLESS	T304
6	SCREW	STAINLESS	T304

Qty.	Part Number	Size I.D. (in)	A (in)	B (in)	C (in)	D (in)	E (in)	Cv*	Weight (Lbs)	Bolt Size (in)	Number Of Bolts
	VCSIL-IG1SX0250	2-1/2	7	5-1/2	5-1/2	11/16	1-3/16	110	20	5/8	4
	VCSIL-IG1SX0300	3	7-1/2	6	6	15/16	1-3/8	155	26	5/8	4
	VCSIL-IG1SX0400	4	9	7-1/4	7-1/4	15/16	1-3/4	278	44	5/8	8
	VCSIL-IG1SX0500	5	10	8-1/2	8-1/2	15/16	2	435	56	3/4	8
	VCSIL-IG1SX0600	6	11	9-3/4	9-1/2	1	2-1/2	625	79	3/4	8
	VCSIL-IG1SX0800	8	13-1/2	12-1/2	11-3/4	1-1/8	3-1/4	1115	137	3/4	8
	VCSIL-IG1SX1000	10	16	15-1/2	14-1/4	1-3/16	4-1/4	1770	223	7/8	12

*Cv is the number of U.S. gallons/minute of 60°F water that will flow through a valve with 1 PSI of pressure drop across the valve.

PROJECT INFO	

REV.	1	DRAWING REVISED	DATE 10/14/2013
------	---	-----------------	-----------------



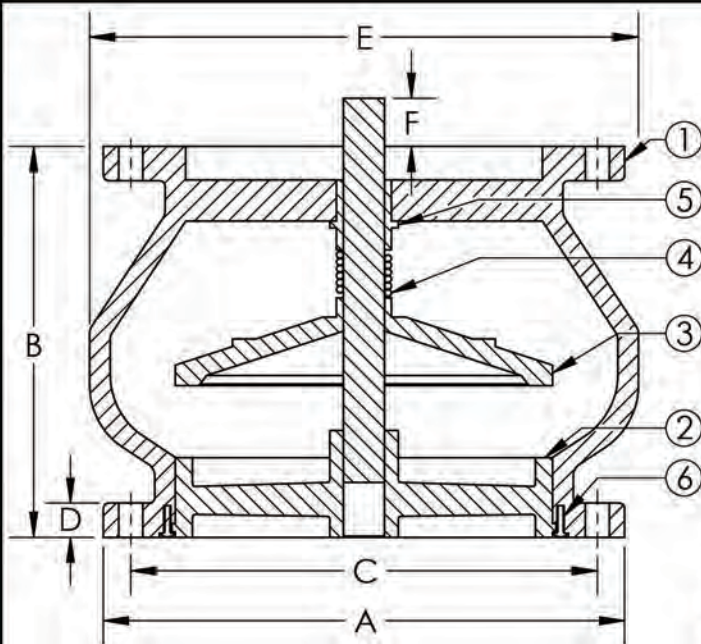
STAYFLOW
312-428-4750

CUSTOMER: _____

PROJECT: _____

ENGINEER: _____

MODEL VCSIL-IG1SX	
2.5" - 10" 125# GLOBE STYLE SILENT CHECK VALVE W/ SS TRIM	
DRAWN BY:	DATE: 8/27/2013
APPROVED:	DATE: 8/27/2013
SCALE: NONE	DRAWING NUMBER:



125# CLASS
MAX NON-SHOCK
WORKING PSI

TEMPERATURE	PSI*
150°F	150
200°F	135

*Sizes 14" and Up
12" - 200/190PSI

LEAD FREE

The wetted surface of this product contacted by consumable water contains less than one quarter of one percent (0.25%) of lead by weight. Material complies with state codes and standards, where applicable, requiring reduced lead content.

Notes:

Valve is designed for liquid service only. Install 5 to 10 pipe diameters downstream from pump discharge or elbows to avoid flow turbulence. The intake and discharge sides of 12" through 42" series check valves must be mated to a ANSI B16.5 flat faced steel flange. The discharge side also must allow an interference clearance for the center shaft shown as dimension "F".


Valve complies with MSS-SP-125-2010.

ITEM	PART NAME	MATERIAL	ASTM NO.
1	BODY	CAST IRON	A126 CL. B
2	SEAT	STAINLESS	T304
3	PLUG	STAINLESS	T304
4	SPRING	STAINLESS	T304
5	BUSHING	STAINLESS	T304
6	SCREW	STAINLESS	T304

Qty.	Part Number	Size I.D. (in)	A (in)	B (in)	C (in)	D (in)	E (in)	F (in)	Cv*	Weight (Lbs)	Bolt Size (in)	Number Of Bolts
	VCSIL-IG1SX1200	12	19	14-1/4	17	1-1/4	20	3/4	2500	298	7/8	12
	VCSIL-IG1SX1400	14	21	15-3/4	18-3/4	1-3/8	22	1-7/16	3400	375	1	12
	VCSIL-IG1SX1600	16	23-1/2	17-5/8	21-1/4	1-7/16	25	2-1/4	4400	485	1	16
	VCSIL-IG1SX1800	18	25	18-3/4	22-3/4	1-9/16	28	2-1/4	5600	585	1-1/8	16
	VCSIL-IG1SX2000	20	27-1/2	20-5/8	25	1-11/16	31	2-15/16	6900	890	1-1/8	20
	VCSIL-IG1SX2400	24	32	24	29-1/2	1-7/8	37	3-5/8	10000	1220	1-1/4	20
	VCSIL-IG1SX3000	30	38-3/4	29-1/4	36	2-1/8	45	5	15400	2000	1-1/4	28
	VCSIL-IG1SX3600	36	46	45	42-3/4	2-3/8	54	8	22400	4421	1-1/2	32
	VCSIL-IG1SX4200	42	53	50	49-1/2	2-5/8	64	9-1/4	30400	N/A	1-1/2	36

*Cv is the number of U.S. gallons/minute of 60°F water that will flow through a valve with 1 PSI of pressure drop across the valve.

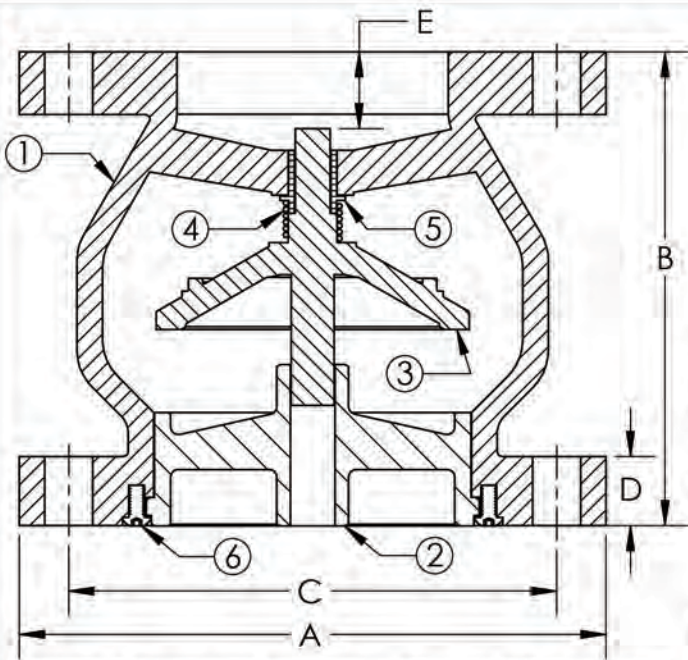
PROJECT INFO	

REV.	DATE
	
STAYFLOW 312-428-4750	
MODEL VCSIL-IG1SX 12" - 42" 125# GLOBE STYLE SILENT CHECK VALVE W/ SS TRIM	
DRAWN BY:	DATE: 8/27/2013
APPROVED:	DATE: 8/27/2013
SCALE: NONE	DRAWING NUMBER:

CUSTOMER: _____

PROJECT: _____

ENGINEER: _____



250# CLASS
 MAX NON-SHOCK
 WORKING PSI

TEMPERATURE	PSI
150°F	400
200°F	370

LEAD FREE

The wetted surface of this product contacted by consumable water contains less than one quarter of one percent (0.25%) of lead by weight. Material complies with state codes and standards, where applicable, requiring reduced lead content.

Notes:

Valve is designed for liquid service only. Install 5 to 10 pipe diameters downstream from pump discharge or elbows to avoid flow turbulence. The intake side of series check valves must be mated to a ANSI B16.5 flat faced steel flange. The discharge side can be mated to a ANSI B16.5 flat face steel flange or a wafer style butterfly valve without the use of spools or adapters.

Valve complies with MSS-SP-125-2010.


2-1/2" valve trim is threaded into body.

ITEM	PART NAME	MATERIAL	ASTM NO.
1	BODY	CAST IRON	A126 CL. B
2	SEAT	STAINLESS	T304
3	PLUG	STAINLESS	T304
4	SPRING	STAINLESS	T304
5	BUSHING	STAINLESS	T304
6	SCREW	STAINLESS	T304

Qty.	Part Number	Size I.D. (in)	A (in)	B (in)	C (in)	D (in)	E (in)	Cv*	Weight (Lbs)	Bolt Size (in)	Number Of Bolts
	VCSIL-IG2SX0250	2-1/2	7-1/2	5-1/2	5-7/8	1	1-7/16	110	25	3/4	8
	VCSIL-IG2SX0300	3	8-1/4	6	6-5/8	1-1/8	1-3/8	155	34	3/4	8
	VCSIL-IG2SX0400	4	10	7-1/4	7-7/8	1-1/4	1-3/4	278	59	3/4	8
	VCSIL-IG2SX0500	5	11	8-1/2	9-1/4	1-3/8	2	435	74	3/4	8
	VCSIL-IG2SX0600	6	12-1/2	9-3/4	10-5/8	1-7/16	2-1/2	625	100	3/4	12
	VCSIL-IG2SX0800	8	15	12-1/2	13	1-5/8	3-1/4	1115	177	7/8	12
	VCSIL-IG2SX1000	10	17-1/2	15-1/2	15-1/4	1-7/8	4-1/4	1770	255	1	16

*Cv is the number of U.S. gallons/minute of 60°F water that will flow through a valve with 1 PSI of pressure drop across the valve.

PROJECT INFO	

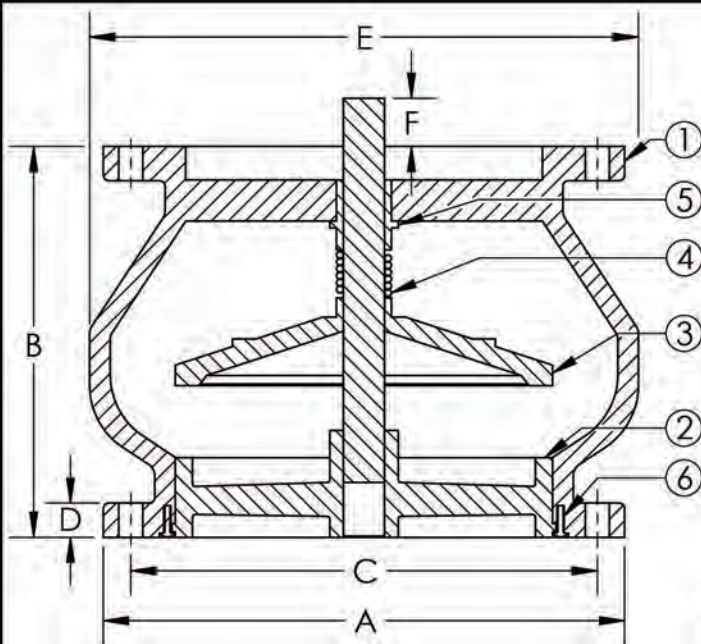
REV.	1	DRAWING REVISED	DATE 10/14/2013
		STAYFLOW 312-428-4750	

CUSTOMER: _____

PROJECT: _____

ENGINEER: _____

MODEL VCSIL-IG2SX	
2.5" - 10" 250# GLOBE STYLE SILENT CHECK VALVE W/ SS TRIM	
DRAWN BY:	DATE: 8/27/2013
APPROVED:	DATE: 8/27/2013
SCALE: NONE	DRAWING NUMBER:



250# CLASS
MAX NON-SHOCK
WORKING PSI

TEMPERATURE	PSI*
150°F	300
200°F	280

*Sizes 14" and Up
12" - 400/370PSI

LEAD FREE

The wetted surface of this product contacted by consumable water contains less than one quarter of one percent (0.25%) of lead by weight. Material complies with state codes and standards, where applicable, requiring reduced lead content.

Notes:

Valve is designed for liquid service only. Install 5 to 10 pipe diameters downstream from pump discharge or elbows to avoid flow turbulence. The intake and discharge sides of 12" through 42" series check valves must be mated to a ANSI B16.5 flat faced steel flange. The discharge side also must allow an interference clearance for the center shaft shown as dimension "F".


Valve complies with MSS-SP-125-2010.

ITEM	PART NAME	MATERIAL	ASTM NO.
1	BODY	CAST IRON	A126 CL. B
2	SEAT	STAINLESS	T304
3	PLUG	STAINLESS	T304
4	SPRING	STAINLESS	T304
5	BUSHING	STAINLESS	T304
6	SCREW	STAINLESS	T304

Qty.	Part Number	Size I.D. (in)	A (in)	B (in)	C (in)	D (in)	E (in)	F (in)	Cv*	Weight (Lbs)	Bolt Size (in)	Number Of Bolts
	VCSIL-IG2SX1200	12	20-1/2	14-1/4	17-3/4	2	20	3/4	2500	375	1-1/8	16
	VCSIL-IG2SX1400	14	23	15-3/4	20-1/4	2-1/8	22	1-7/16	3400	455	1-1/8	20
	VCSIL-IG2SX1600	16	25-1/2	17-5/8	22-1/2	2-1/4	25	2-1/4	4400	730	1-1/4	20
	VCSIL-IG2SX1800	18	28	18-3/4	24-3/4	2-3/8	28	2-1/4	5600	930	1-1/4	24
	VCSIL-IG2SX2000	20	30-1/2	20-5/8	27	2-1/2	31	2-15/16	6900	1180	1-1/4	24
	VCSIL-IG2SX2400	24	36	24	32	2-3/4	37	3-5/8	10000	1680	1-1/2	24
	VCSIL-IG2SX3000	30	43	29-1/4	39-1/4	3	45	5	15400	2375	1-3/4	28
	VCSIL-IG2SX3600	36	50	45	46	3-3/8	54	8	22400	5511	2	32
	VCSIL-IG2SX4200	42	57	50	52-3/4	3-11/16	64	9-1/4	30400	N/A	2	36

*Cv is the number of U.S. gallons/minute of 60°F water that will flow through a valve with 1 PSI of pressure drop across the valve.

PROJECT INFO

REV.	DATE
	
STAYFLOW 312-428-4750	
MODEL VCSIL-IG2SX	
12" - 42" 250# GLOBE STYLE SILENT CHECK VALVE W/ SS TRIM	
DRAWN BY:	DATE: 8/27/2013
APPROVED:	DATE: 8/27/2013
SCALE: NONE	DRAWING NUMBER:

CUSTOMER: _____

PROJECT: _____

ENGINEER: _____