



# Y SERIES POLYPROPYLENE BUTTERFLY VALVE

## 150# STANDARD

Stayflow Y Series Polypropylene Butterfly Valve Seats depart from traditional liner-seat type valves for improved performance, ease of operation and superior sealing. Engineered for high volume flow control or throttling, this high-performance valve is ideally suited for use in applications requiring Polypropylene's broad range of chemical resistance, such as Industrial & Chemical Processing, Mining, Pulp & Paper, Water Parks, and Municipal Water & Waste Water Treatment. Manufactured from UV stabilized Polypropylene in IPS sizes 1-1/2" – 24" with custom produced 30"- 60" valves available.

GEAR HANDLE  
SIZES 1-1/2" to 12"



LEVER HANDLE  
SIZES 1-1/2" to 8"

### FEATURES

- UV Stabilized Polypropylene Construction
- Special off-set Disc lifts quickly from seat to reduce wear and reduce operating torque.
- Patented Limited Contact Seat design provides free travel eliminates seat creep, extrusion and wear. Field replaceable without full valve disassembly.
- Interlocking Body & Seat prevents wash-out or blow-out.
- Buna-N, EPDM or FKM Seat & Seals
- Solid Type 316L Stainless Steel Stem, fully isolated from process fluids
- Reversible High Impact Polypropylene Lever Handle with 7-Position stops & Built-in Lockout (standard handle on 1-1/2"
- 8" valves; not available on 10" & larger valves)
- High Efficiency Gear Operator with Cast Aluminum Housing,
- Polypropylene Handwheel, and Built-in Position Indicator (available for all sizes; standard on 10" & larger valves)
- Pressure ratings include Dead-End Service (See Chart).
- ANSI/ASME B16.5 Class 150 Bolt Pattern

PRESSURE (PSIG) @ TEMPERATURE

SIZE	73 (F°)	100 (F°)	140 (F°)	180 (F°)	190 (F°)
1-1/2 - 12	150	150	65	20	0
14	100	100	43	13	0
16	85	85	37	11	0
18	70	70	30	9	0
20-24	50	50	22	7	0

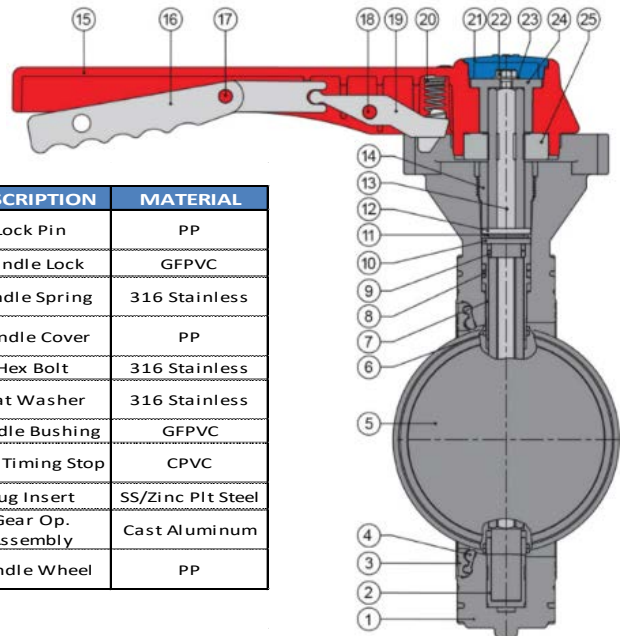
WEIGHTS (lbs) & PERFORMANCE

VALVE SIZE	Cv - Degrees Open						LEVER HANDLE Wt (lb)	GEAR HANDLE Wt (lb)	OPERATING TORQUE (in-lbs)
	15°	30°	45°	60°	75°	90°			
1-1/2	2	8	2	36	61	81	2.59	6.27	6.27
2	3	11	27	49	82	109	3.34	7.89	7.89
2-1/2	5	19	48	86	144	192	4.11	8.66	8.66
3	9	35	86	155	259	345	6.29	9.48	9.48
4	10	41	103	185	308	411	7.91	11.08	11.08
6	28	113	281	506	844	1125	13.31	16.93	16.93
8	56	225	562	1012	1687	2249	19.67	23.28	23.28
10	111	444	1110	1998	3330	4440	NA	33.45	33.45
12	158	631	1577	2839	4732	6309	NA	46.97	46.97
14	176	705	1762	3172	5286	7048	NA	85.87	85.87
16	211	846	2114	3805	6341	8455	NA	CALL	CALL
18	273	1092	2730	4914	8190	10920	NA	CALL	CALL
20	355	1418	3545	6381	10635	14180	NA	CALL	CALL
24	467	1866	4665	8397	13995	18660	NA	CALL	CALL



# Y SERIES POLYPROPYLENE BUTTERFLY VALVE 150# STANDARD

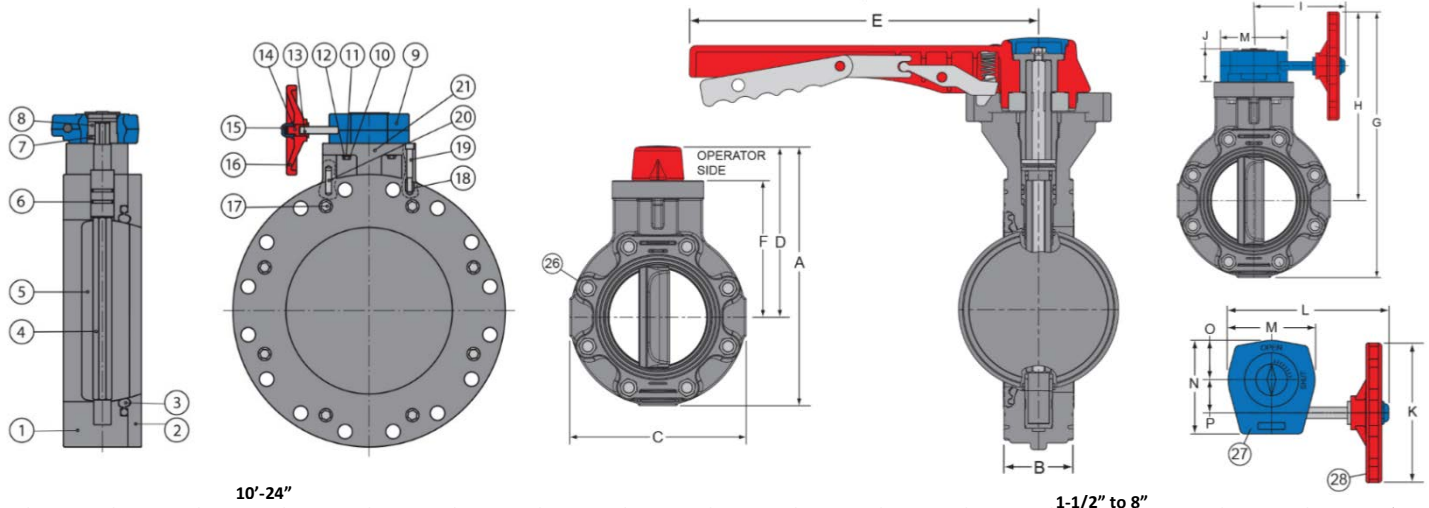
ELECTRIC & PNEUMATIC ACTUATORS ARE AVAILABLE. CALL FACTORY FOR DETAILS.



### BILL OF MATERIALS

ITEM	DESCRIPTION	MATERIAL	ITEM	DESCRIPTION	MATERIAL	ITEM	DESCRIPTION	MATERIAL
1	Body	PP	11	Stem Washer Slot	316 Stainless	18	Lock Pin	PP
2	Stem Bearing	PTFE/GFPP	11 <sup>2</sup>	Lock Washer	316 Stainless	19	Handle Lock	GFPVC
3	Seal Carrier	PP	12	Stem Washer Round	PTFE/GFPP	20	Handle Spring	316 Stainless
4	Seat	BUNA-N/EPDM /FKM	12 <sup>2</sup>	Hex Head Cap Screw	316 Stainless	21	Handle Cover	PP
5	Disc	PP	13	Stem	316 Stainless	22	Hex Bolt	316 Stainless
6	Disc O-ring B	BUNA-N/EPDM /FKM	13 <sup>2</sup>	Handwheel Pin	316 Stainless	23	Flat Washer	316 Stainless
7	Stem Bushing	PTFE/GFPP	14	Stem Nut	PVC/CPVC	24	Handle Bushing	GFPVC
8	Stem Bushing O-Ring	BUNA-N/EPDM /FKM	14 <sup>2</sup>	Handwheel Adapter	GFPVC	25	Disc Timing Stop	CPVC
8 <sup>2</sup>	Drive Bushing	Steel	15	Handle Body	PP	26	Lug Insert	SS/Zinc Plt Steel
9	Stem O-Ring	BUNA-N/EPDM /FKM	15 <sup>2</sup>	Handwheel Nut	PP	27	Gear Op. Assembly	Cast Aluminum
9 <sup>2</sup>	Gear Operator	Epoxy Coated Aluminum	16	Handle Grip	GFPVC	28	Handle Wheel	PP
10	Stem Washer Hex	PTFE/GFPP	16 <sup>2</sup>	Handwheel	PP			
10 <sup>2</sup>	Flat Washer	316 Stainless	17	Grip Pin	PP			

- 1. - Slotted washers used on 6" and larger
- 2. - Gear operated components



10'-24"

1-1/2" to 8"

### DIMENSIONS (in)

SIZE	A	B	C	D	E	F	G	H	I	J	K	L	M	N	O	P
1-1/2	8-5/32	1-9/16	5	5-19/32	9-3/32	4-3/32	11-5/32	8-21/32	6-7/16	2-3/8	8	8-13/16	4-13/16	5-3/16	2-13/16	1-27/32
2	9-11/32	1-15/16	6	6-13/32	9	4-3/4	13-1/8	10-1/8	6-7/16	2-3/8	8	8-13/16	4-13/16	5-3/16	2-13/16	1-27/32
2-1/2	10-9/32	2	7	6-25/32	9-1/4	5-1/4	13-1/8	9-5/8	6-7/16	2-3/8	8	8-13/16	4-13/16	5-3/16	2-13/16	1-27/32
3	11-1/2	2-3/32	7-1/2	7-27/32	12	5-5/8	14-5/32	10-17/32	6-7/16	2-3/8	8	8-13/16	4-13/16	5-3/16	2-13/16	1-27/32
4	13	2-9/32	9	8-1/2	12	6-1/4	15-5/8	11-1/8	6-7/16	2-3/8	8	8-13/16	4-13/16	5-3/16	2-13/16	1-27/32
6	16-19/32	2-3/4	10-31/32	11-3/32	13-7/8	8-19/32	19-7/32	13-23/32	6-7/16	2-13/32	7-15/16	8-7/8	4-27/32	5-5/32	2-7/32	1-27/32
8	18-5/8	2-15/16	13-1/2	12	13-15/16	9-1/2	21-7/16	14-11/16	6-7/16	2-13/32	7-15/16	8-7/8	4-27/32	5-5/32	2-7/32	1-27/32
10	NA	3-1/4	16	NA	NA	11	26-5/8	18-5/8	7-1/8	2-3/8	8	9-13/16	5-3/8	5-15/16	2-7/16	2-11/32
12	NA	3-1/2	19	NA	NA	12	29-1/8	19-5/8	7-1/8	2-3/8	8	9-13/16	5-3/8	5-15/16	2-7/16	2-11/32
14	NA	6-1/4	NA	NA	NA	13-3/16	29	18-1/2	7-3/8	2-9/16	8	10-13/16	6-7/8	7-7/16	3-1/8	33
16	NA	6-3/4	NA	NA	NA	14-7/16	31-1/2	19-3/4	7-3/8	2-9/16	8	10-13/16	6-7/8	7-7/16	3-1/8	3
18	NA	7-1/8	NA	NA	NA	15-3/16	33	20-1/2	7-3/8	2-9/16	8	10-13/16	6-7/8	7-7/16	3-1/8	3
20	NA	7-3/4	NA	NA	NA	16-7/16	35-1/2	21-3/4	7-3/8	2-9/16	8	10-13/16	6-7/8	7-7/16	3-1/8	3
24	NA	8-7/16	NA	NA	NA	18-11/16	40	24	7-3/8	2-9/16	8	10-13/16	6-7/8	7-7/16	3-1/8	3

Suitable for oil free air handling to 25 psig. Not for distribution of compressed air or gas.