



## Standard Port 2PC Ball Valves

### COMMERCIAL SERIES STANDARD PORT 2 PC BALL VALVE CARBON AND STAINLESS STEEL

**MODELS  
T70**

**Size  
1/4" - 1"**



**Size  
1 1/4" - 2"**



**Three Bolt Actuator Mounting Design**

#### MODELS

**Stainless Steel 316 - T70-SS**

**Carbon Steel WCB - T70-CS**

**Reinforced PTFE Seating**

**Pressure Rating:**

2000 WOG 1/4" thru 1"

1500 WOG 1 1/4" thru 2"

**Steam Rating: 150 psi WSP**

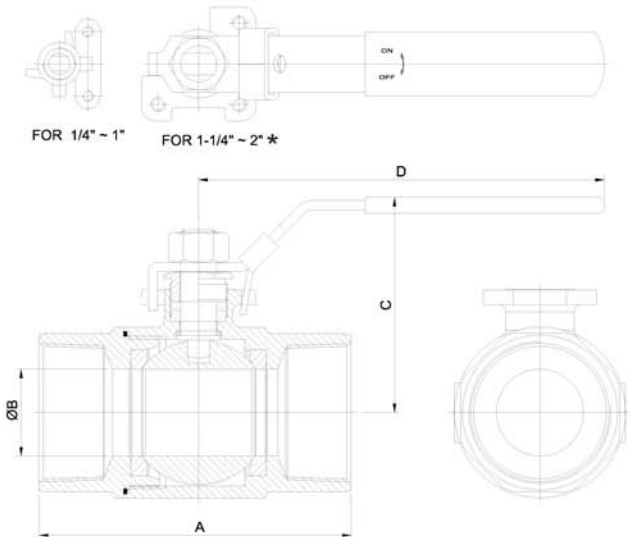
**Temperature Range: -20 to +450 °F**

#### FEATURES:

- Quality Investment Cast Body
- Internal Entry Blow-out Proof Stem
- Adjustable Packing Gland
- Safety Type Locking Handle
- Actuator Mounting Pad
- All Carbon Steel Bodies Are Black Phosphate Coated For Added Corrosion Resistance

**Built to Satisfy High Pressure Applications Affordably!**

## T70 STANDARD PORT BALL VALVE DESIGN AND TECHNICAL DATA



### DIMENSIONS AND WEIGHTS:

SIZE	A	B	C	D	CV	Torque in-lb	Weight lbs
1/4"	2.23	0.50	2.13	4.09	15	60	0.68
3/8"	2.23	0.50	2.13	4.09	15	60	0.68
1/2"	2.35	0.50	2.13	4.09	15	65	0.66
3/4"	3.11	0.69	2.59	4.92	40	80	1.36
1"	3.35	0.88	2.70	4.92	70	130	1.67
1 1/4"	4.02	1.00	3.37	5.91	120	210	3.15
1 1/2"	4.37	1.26	3.54	5.91	200	200	3.96
2"	5.39	1.50	3.74	7.09	340	340	5.81

\*Consult factory for Actuator mounting dimensions

### BILL OF MATERIALS:

Item	Name	T70-SS	T70-CS
1	Body	ASTM A351 CF8M	ASTM A216 WCB
2	Cap	ASTM A351 CF8M	ASTM A216 WCB
3	Ball	ASTM A351 CF8M	ASTM A351 CF8M
4	Seat	RPTFE	RPTFE
5	Stem	SS316	SS316
6	Gasket	PTFE	PTFE
7	Thrust Washer	PTFE	PTFE
8	Stem packing	PTFE	PTFE
9	Gland Nut	SS304	SS304
10	Handle	SS304	SS304
11	Locking Device	SS304	SS304
12	Handle Nut	SS304	SS304
13	Handle Sleeve	PLASTIC	PLASTIC

### TEST PRESSURE:

SHELL: 1500~2900 psi  
 SEAT: 100 psi  
 All valves 100% air tested under water at 100 psi Open and Close position.  
 Vacuum Service to 29 inches Hg.

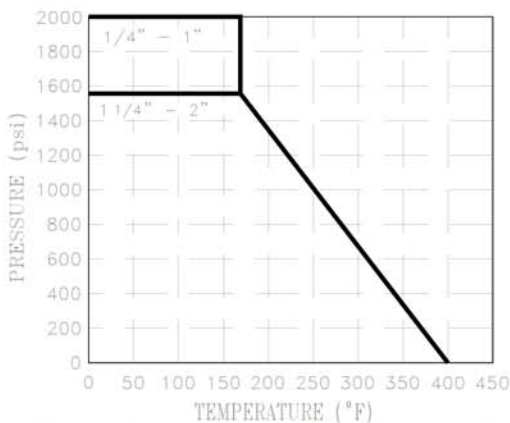
Conforms to:  
 Federal Specification WW-V-35C  
 Type Style 3

Drilled and Tapped Actuator Mounting Pad,  
 Consult Factory for Dimensions

### Standard Model Number:

**316SS - T70-SS-RTT-L**  
**WCB - T70-CS-RTT-L**

### PRESSURE AND TEMPERATURE DATA:



Specify with confidence and maximize your purchasing dollars with Stayflow Ball Valves.

### VALVE COMPONENTS:

Exploded View

