



## 1 PC REDUCE BORE THREADED / FIRE SAFE

### Omni Series

Model - T12

Size Range

½" ~ 2"

Operating Range

-20° ~ 450°F

Maximum Pressures

2000 PSI CWP

175 PSI SWP

**Available in  
316SS or WCB**

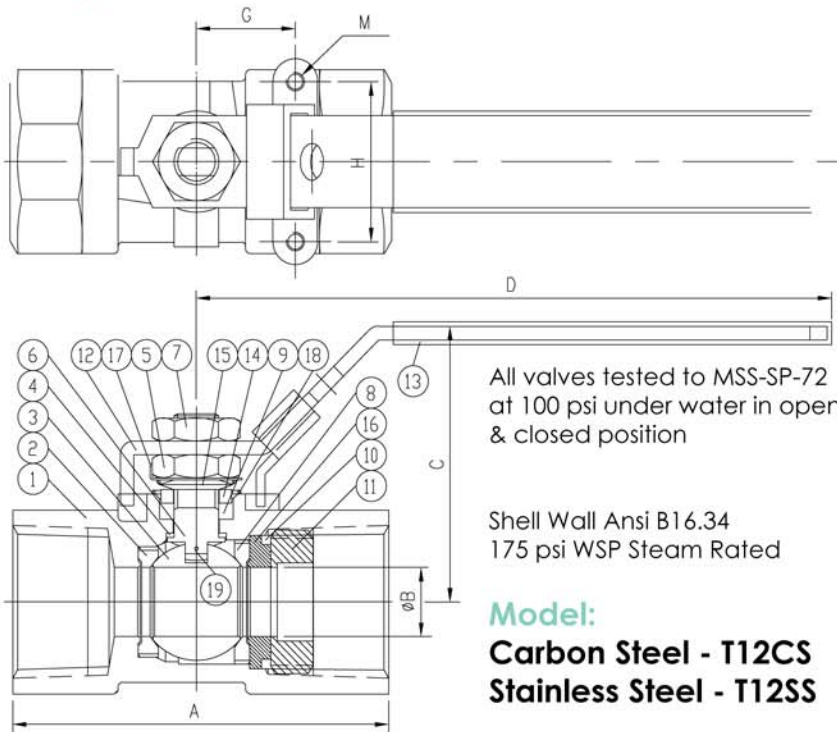


### DESIGN FEATURES

- Economical 1-PC Design compact unibody delivers outstanding high pressure service in a cost effective package
- Replaceable seats and seals
- All bodies are marked with a foundry heat number for full traceability
- Adjustable stem packing
- one piece body minimizes potential leak paths
- Fire Safe Certified to API607 4<sup>th</sup> Edition
- Seats - 25% carbon-PTFE
- Graphite packing
- Anti-static devices as standard, grounding ball & stem to body
- Safety locking handle lever & oval types
- Blow-out proof stem
- Actuator mounting pad

**Designed for Economical High Pressure Applications**

## Design & Technical Data



## BILL OF MATERIALS:

| Item | Part Name           | T12-SS          | T12-CS           | Qty. |
|------|---------------------|-----------------|------------------|------|
| 1    | Body                | A351 CF8M       | A216 WCB         | 1    |
| 2    | Seal #              | 25% Carbon PTFE | 25% Carbon PTFE  | 1    |
| 3    | Ball                | A351 CF8M       | A351 CF8         | 1    |
| 4    | Thrust Washer#      | PTFE            | PTFE             | 1    |
| 5    | Packing Nut         | SS304           | SS304            | 1    |
| 6    | Stem                | A276 316        | A276 304         | 1    |
| 7    | Handle Nut          | SS304           | Zinc Plated C.S. | 1    |
| 8    | Seat                | 25% Carbon PTFE | 25% Carbon PTFE  | 1    |
| 9    | Packing#            | Graphite        | Graphite         | 1    |
| 10   | Body Gasket#        | Graphite        | Graphite         | 2    |
| 11   | Retainer Nut        | A351 CF8M       | A216 WCB         | 1    |
| 12   | Handle              | SS304           | Zinc Plated C.S. | 1    |
| 13   | Handle Cover        | PVC             | PVC              | 1    |
| 14   | Packing Follower    | SS304           | SS304            | 1    |
| 15   | Belleville Washer   | SS301           | SS301            | 2    |
| 16   | Seat Retainer       | A351 CF8M       | A216 WCB         | 1    |
| 17   | Lock Washer         | SS304           | SS304            | 1    |
| 18   | Anti-Static Spring* | SS301           | SS301            | 2    |
| 19   | Anti-Static Device  | SS316           | SS304            | 1    |

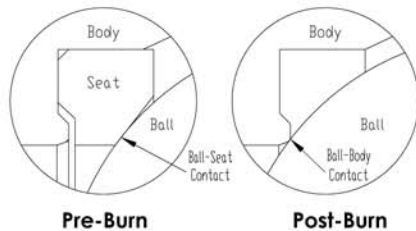
# Parts included in the repair kits

### Conform to:

- API STANDARD 6D
- ANSI B1.20.1 Threaded End NPT
- Fire Safe Testing API607-4
- NACE MR-01-75

## Dimensions & Technical Data

| SIZE   | A    | B    | C    | D    | G    | H    | M         | Cv  | Torque In-Lb | Weight Lbs |
|--------|------|------|------|------|------|------|-----------|-----|--------------|------------|
| 1/4"   | 2.64 | 1.73 | 1.73 | 4.37 | 0.50 | 1.12 | #10-24UNC | 2   | 60           | 0.7        |
| 3/8"   | 2.64 | 0.35 | 1.73 | 4.37 | 0.50 | 1.12 | #10-24UNC | 2.5 | 60           | 0.68       |
| 1/2"   | 2.64 | 0.35 | 1.73 | 4.37 | 0.50 | 1.12 | #10-24UNC | 5   | 76           | 0.6        |
| 3/4"   | 2.80 | 0.49 | 1.89 | 4.37 | 0.50 | 1.12 | #10-24UNC | 10  | 102          | 0.82       |
| 1"     | 3.31 | 0.59 | 2.36 | 5.55 | 0.87 | 1.37 | #10-24UNC | 15  | 182          | 1.31       |
| 1-1/4" | 3.70 | 0.79 | 2.56 | 5.55 | 0.87 | 1.37 | #10-24UNC | 25  | 245          | 2.01       |
| 1-1/2" | 3.94 | 0.98 | 2.80 | 6.34 | 0.93 | 1.50 | 1/4-20UNC | 40  | 356          | 2.80       |
| 2"     | 4.65 | 1.26 | 3.03 | 6.34 | 0.93 | 1.50 | 1/4-20UNC | 60  | 560          | 4.21       |



FIRE SAFE, Flo-Tite's Model T12 valves are supplied as standard with graphite stem packing and body seal. Valves are certified fire safe. In the event of a fire, after heat destroys the primary resilient seat, the ball makes contact with the secondary metal seat, forming a secure seal. The graphite body seal prevents external leakage. The graphite live-loaded stem packing prevents stem leakage. All valves have anti-static devices as standard, grounding ball and stem to body.

