



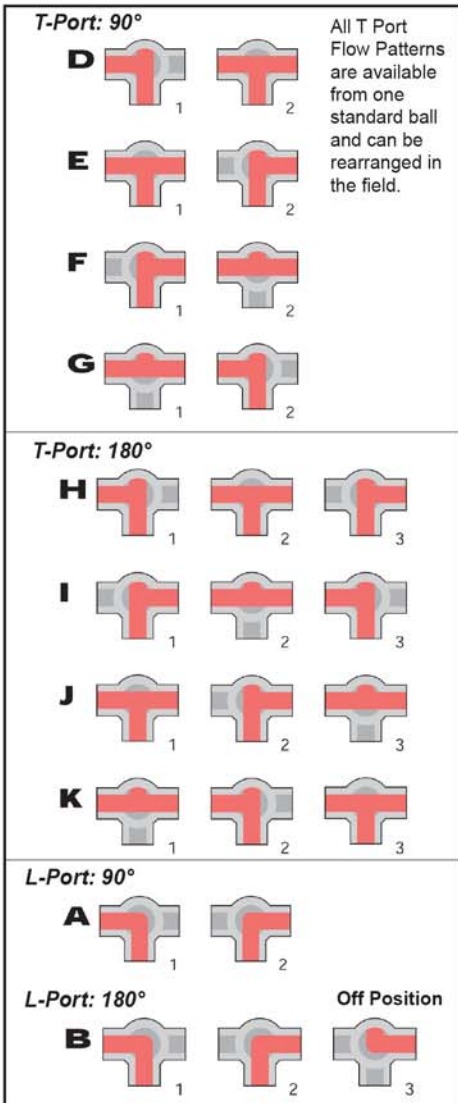
3 Way Standard Port Ball Valves

MULTI-PORT COMPETITOR SERIES

Model:

**DM-MPT100-S4 3-Way
SIZE RANGE 1/2"-3"**

**ISO Direct Mount Design
Low Cost, 304 Stainless Steel Ball
Valves, Designed to Compete with
Most Brass or Bronze Valves**



UNIQUE DESIGN FEATURES:

- Quality Investment Cast Components
- All Stainless Steel Construction
- 1000 WOG Rating
- Threaded Ends
- ISO 5211 Direct Mount Pad - Provides for precise Shaft Alignment & Eliminates the Need for Brackets and Couplings
- Locking Handle Standard On All Valves
- All Valves Have 4 Seats Which Allows Operation In The Off Position
- Locking Handle, Locks At 90° Intervals, Full 360°

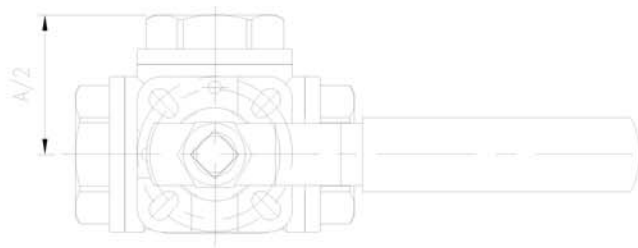
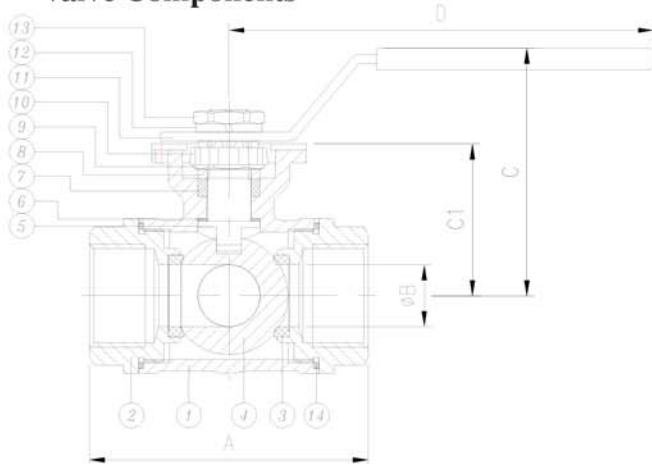
3 WAY VALVES

REDUCE THE NUMBER OF VALVES IN PIPING SYSTEMS AND INCREASE EFFICIENCY

3 WAY STANDARD PORT BALL VALVE 1000 WOG

MODEL DM-MPT 100

Valve Components



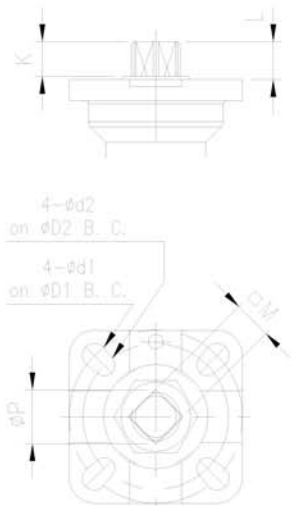
BILL OF MATERIALS:

Item	Part Name	Qty	Material	
			1/2" - 2"	2 1/2" - 3"
1	Body	1	A351 CF8 / SS304	A351 CF8M / SS316
2	End Cap	3	A351 CF8 / SS304	A351 CF8M / SS316
3	Seat	*	PTFE	PTFE
4	Ball	1	Stainless Steel	Stainless Steel
5	Stem	1	Stainless Steel	Stainless Steel
6	Thrust Bearing	*	PTFE	PTFE
7	Stem Packing	*	PTFE	PTFE
8	Packing Follower	2	Stainless Steel	Stainless Steel
9	Stem Nut	1	Stainless Steel	Stainless Steel
10	Lock Washer	1	Stainless Steel	Stainless Steel
11	Handle	1	Stainless Steel	Stainless Steel
12	Spring Washer	1	Stainless Steel	Stainless Steel
13	Handle Nut	1	Stainless Steel	Stainless Steel
14	Gasket	*	PTFE	PTFE

*Recommended Spare Parts

2 1/2" - 3"
Available
in 316SS Only

Mounting Dimensions



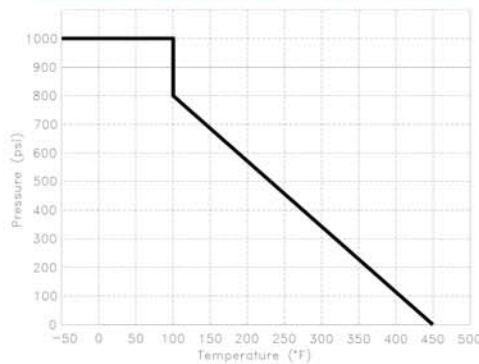
SPECIFICATIONS:

Body Test Pressure: **1500 PSIG Hydrostatic**
Pressure Rating: **1000 PSI WOG**

Valves Stem Seals and Seats 100%
tested by 100 psig air under water for
bubble tight integrity

Threaded End Connections Meet ANSI B1.20.1

Pressure Temperature Rating



Size	A	B	C	C1	D	D1	D2	d1	d2	K	L	M	P	ISO	Torque in-lb	Weight Lbs	Cv 90°	Cv 180°
1/2"	2.80	0.47	2.80	1.46	5.71	1.65	1.42	0.24	0.24	0.30	0.33	0.35	0.47	F03/F04	62	1.4	4.5	7.0
3/4"	3.19	0.59	2.91	1.57	5.71	1.65	1.42	0.24	0.24	0.51	0.55	0.35	0.47	F03/F04	89	1.7	10	14
1"	3.54	0.67	3.27	1.81	6.10	1.97	1.65	0.28	0.24	0.47	0.51	0.43	0.55	F04/F05	212	2.5	16	27
1 1/4"	4.92	0.98	3.70	2.24	6.10	1.97	1.65	0.28	0.24	0.39	0.43	0.43	0.55	F04/F05	266	5.2	31	43
1 1/2"	5.43	1.26	4.45	2.76	7.72	2.76	1.97	0.35	0.28	0.69	0.73	0.55	0.71	F05/F07	310	8.2	49	72
2"	5.98	1.50	4.72	3.03	7.72	2.76	1.97	0.35	0.28	0.69	0.73	0.55	0.71	F05/F07	443	10.6	82	113
2 1/2"	7.87	1.97	C/F	3.74	9.06	4.02	2.76	0.43	0.35	C/F	C/F	0.67	0.87	F07/F10	885	23.1	130	180
3"	9.45	2.56	C/F	4.25	10.24	4.02	2.76	0.43	0.35	C/F	C/F	0.67	0.87	F07/F10	1328	38.4	190	270