

STAYFLOW

3 & 4 Way Multi-Port Ball Valves

MULTI-PORT SERIES

Model:

MPT100 3-Way

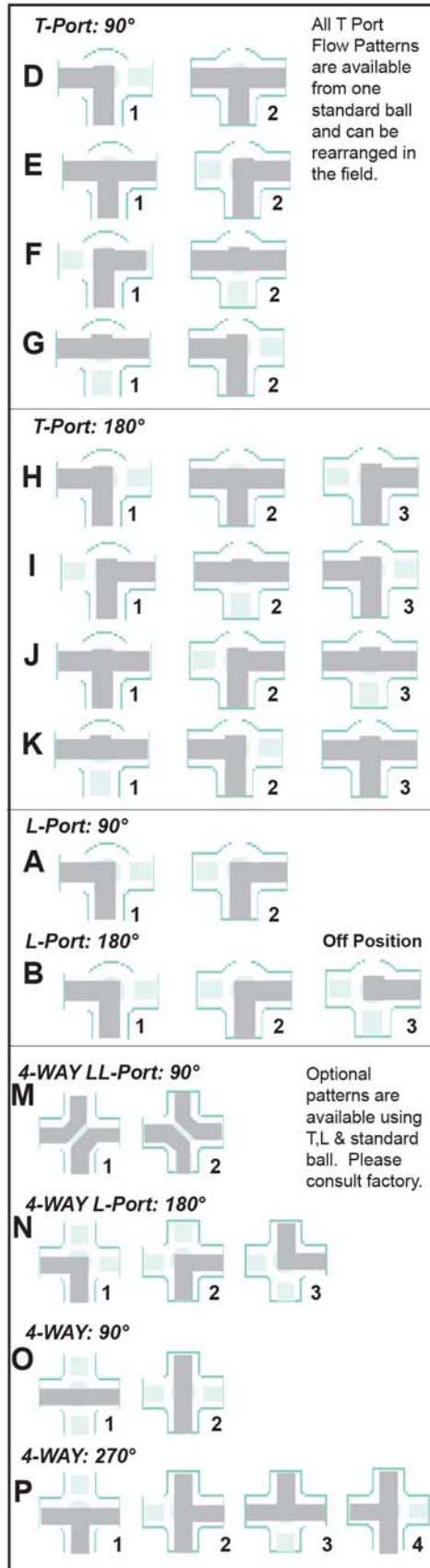
MPT104 4-Way



Size: 1/4" - 2"

UNIQUE DESIGN FEATURES:

- Locking Handle, Locks At 90° Intervals, Full 360°
- Quality Investment Cast Components
- All Stainless Steel Construction
- 800 WOG Rating
- Optional Anti-Static Grounding Device
- Threaded Ends
- Optional Tri-Clamp And Flanged Ends
- I-SO-Type Mount Actuator Mounting
- Locking Handle Standard On All Valves
- All Valves Solution Annealed
- All Valves Have 4 Seats Which Allows Operation In The Off Position



3 WAY VALVES

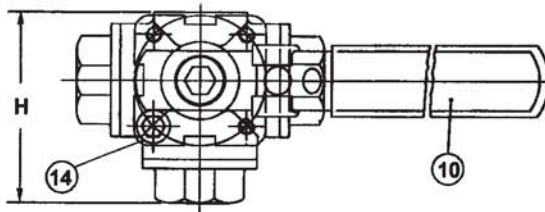
REDUCE THE NUMBER OF VALVES IN PIPING SYSTEMS AND INCREASE EFFICIENCY

3 WAY STANDARD PORT BALL VALVE 800 WOG

BILL OF MATERIALS:

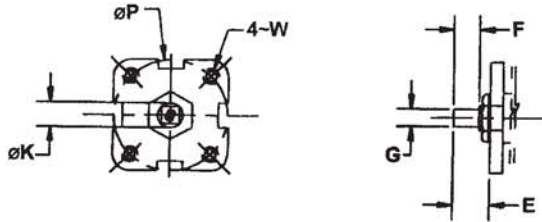
ITEM	PART NAME	QTY	MATERIAL
1	BODY	1	A351 CF8M / SS316
2	END CAP	3	A315 CF8M / SS316
3	BALL	1	A351 CF8M / SS316
4	SEAT*	4	SUPER TEK TFM
5	STEM	1	SS316
6	PACKING*	1	PTFE
7	GLAND NUT	1	SS304
8	WASHER	2	SS304
9	STEM CAP NUT	1	SS304
10	HANDLE	1	SS304
11	PLASTIC COVER	1	VINYL PLASTIC
12	THRUST WASHER*	1	PTFE
13	FLAT WASHER	1	SS304
14	STOP PIN	1	SS304

*Recommended Spare Parts



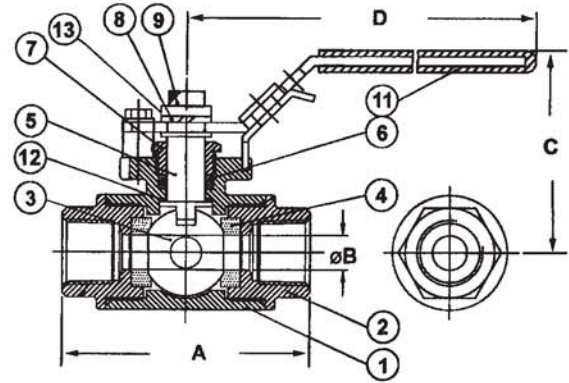
Note:

- ⊗ Now available 3 Way Valve With Clamp Type Sanitary Ends - Model MPC100
- ⊗ ANSI Class 150 And 300 LB, MPF15 and MPF30
- ⊗ Threaded End Connections Meet ANSI B1.20.1



MODEL MPT 100

Valve Components

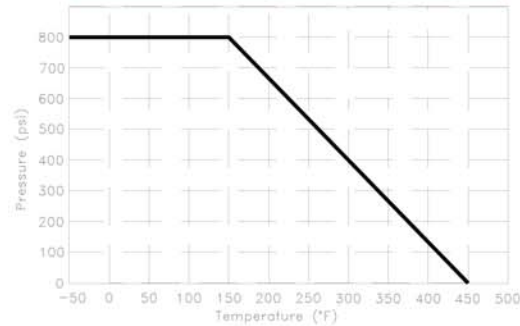


SPECIFICATIONS:

Body Test Pressure: 1200 PSIG Hydrostatic
 Pressure Rating: 800 PSI WOG

- Our Unique new handle design has position stops in 90° increments for full 360° operation
- A wide variety of special seat materials are available C/F
- Valves Stem Seals and Seats 100% tested by 100 psig air under water for bubble tight integrity

Pressure Temperature Rating



DIMENSIONS AND WEIGHTS:

VALVE SIZE	1/4"	3/8"	1/2"	3/4"	1"	1 1/4"	1 1/2"	2"
A	3.11	3.11	3.11	3.35	4.25	4.88	5.31	6.46
B	0.35	0.35	0.43	0.59	0.79	0.98	1.26	1.57
C	2.54	2.54	2.54	3.05	3.19	3.46	3.66	4.13
D	6.50	6.50	6.50	7.87	7.87	9.06	9.84	10.43
H	2.42	2.42	2.42	2.83	3.35	3.78	4.23	5.12
App. Weight (lbs)	1.80	1.80	1.80	2.73	3.79	4.74	9.00	15.5
Valve Torque (in-lbs)	70	80	90	170	260	390	550	800
E	0.43	0.43	0.43	0.51	0.75	0.93	0.93	0.96
F	0.20	0.20	0.20	0.28	0.45	0.61	0.61	0.63
G	0.35	0.35	0.35	0.43	0.43	0.43	0.43	0.55
K	0.47	0.47	0.47	0.59	0.59	0.59	0.59	0.73
P	1.65	1.65	1.65	1.97	1.97	1.97	2.76	2.76
W	10-24UNC	10-24UNC	10-24UNC	1/4-20UNC	1/4-20UNC	1/4-20UNC	5/16-18UNC	5/16-18UNC
CV - 90°	3.2	3.5	4.5	10	16	31	49	82
CV - 180°	3.6	4.8	7.0	14	27	43	72	113



sales@stayflowproducts.com 312-428-4750 www.stayflowproducts.com