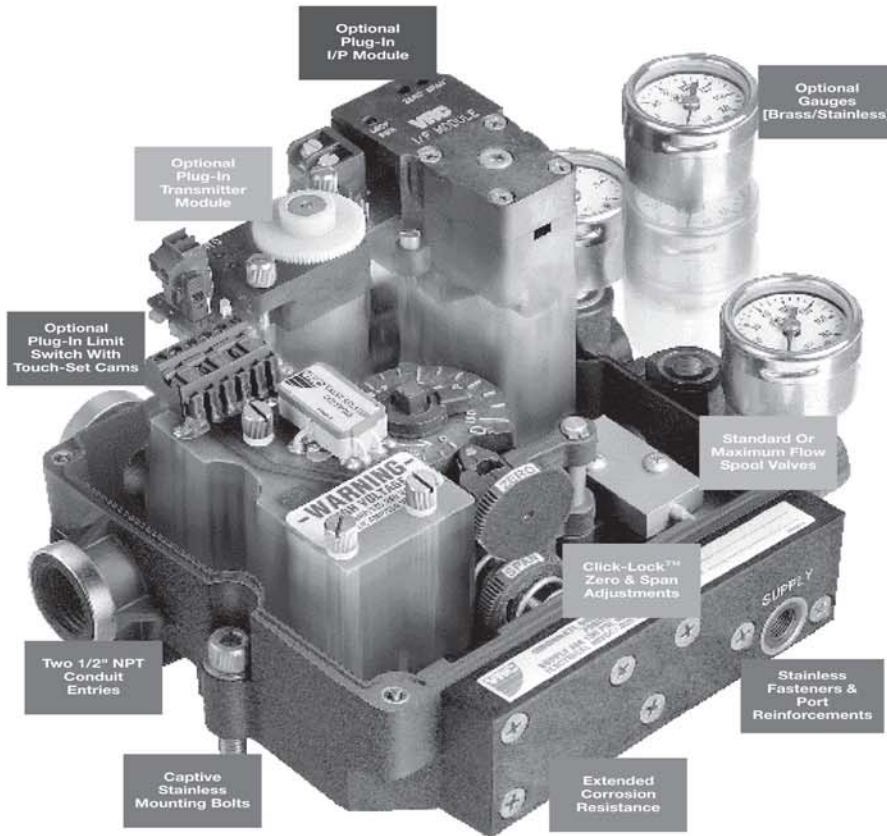


PNEUMATIC AND ELECTRO-PNEUMATIC



<p>OPTIONS</p> <p>Position Indicator</p> <p>Flat 90°</p> <p>Dome 90°</p> <p>Flat 180°</p> <p>Characterizing Cam</p> <p>Linear</p> <p>Square Root</p> <p>0-60°</p> <p>Equal Percent</p> <p>Custom</p> <p>Tangent</p> <p>0 - 45°</p> <p>Spool Valve</p> <p>Standard Flow</p> <p>Maximum Flow</p> <p>Extreme Service</p> <p>Port Gauges</p> <p>Brass / Stainless</p> <p>Position Transmitter</p> <p>Current: 4-20MA</p> <p>Resistive: 10000hm</p> <p>Limit Switch</p> <p>2) SPDT. UL & CSA</p> <p>10A @ 125/250 VAC</p> <p>0.5A @ 125 VAC</p> <p>0.25A @ 250 VAC</p> <p>Proximity 52 Option</p> <p>2) SPST. UL</p> <p>1A @ 140 VAC</p> <p>1A @ 200 VAC</p>

Features

The V-Series is summed up in one word: Simplicity. Changing a Pneumatic Positioner to an Electro-Pneumatic Positioner, adding a limit switch and/or position transmitter module, or adding gauges is a simple procedure.

Total field upgradeability

The V-Series offers true modularity to simplify changes, minimize inventory, and ease servicing.

Modular 1/P Converter

The 1/P Converter has been designed to provide flawless automatic compensation for supply pressure, atmospheric pressure and ambient temperature changes - **all standard!** **Integral RFI protection as well!**



AIR-CON V-SERIES VALVE POSITIONERS - TECHNICAL DATA

PERFORMANCE

Parameter	Specification
Resolution	0.25% Maximum 0.10% Typical
Repeatability	99.75% Minimum 99.90% Typical
Hysteresis	0.50% Maximum 0.25% Typical
Linearity	1.0% Maximum
Gain @ 80 PSIG	250 Single Acting 500 Double Acting
Air Consumption @ 80 PSIG	0.5 SCF. Standard Flow Spool Valve 0.45 SCRM. Maximum Flow Spool Valve
Temp. Range	-40 to 150F/-40 to 65C

CONSTRUCTION

Part	Materials
Enclosure	PPA Composite 300 Stainless Port Rings Cover and Mounting Bolts
Indicator Lens	LEXAN™
Internals	PPA, PPS and PEEK Composites 300 Series Stainless Steel Nickel Plated Brass
Spool Valve	Carpenter 70 Grade Stainless Steel
I/P Converter	PPA Composite TEFLON™ Coated Carbon Steel Nickel Plated Carbon Steel High Density Polyethylene DELRIN™
Signal Diaphragm/ O-Rings	BUNA N

HAZARDOUS LOCATIONS INFORMATION

I/P Converter Type 22/06-65 (Model VI)

Factory Mutual Approved:
Intrinsically Safe, Class I,
Division I, GRP. A, B, C, D
Non-Incentive, Class I, Division 2,
GRP. A, B, C, D

CSA Approved:
Intrinsically Safe, Class I,
Division 1 and 2, GRP. A, B, C, D

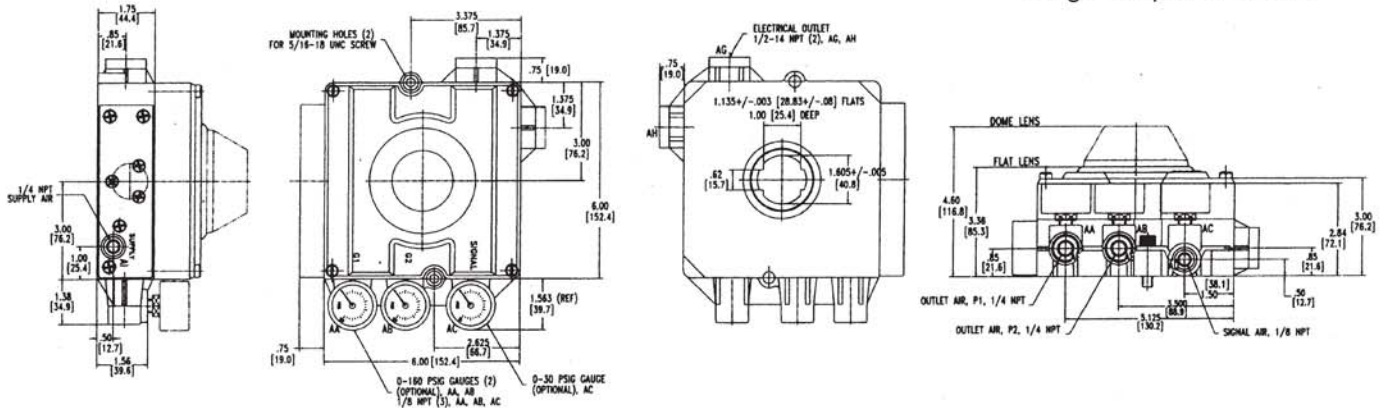
CENELEC Approved
EEx ia IIC T6

For Applications In Hazardous
Locations Reference Control
Documents No. 900842/900843
Available

Universal Mounting Flexibility Mounting Kit includes:

- Bracket • Smaller Coupler
- Large Coupler or Namur

DIMENSIONAL DIAGRAMS



ORDERING SPECIFICATIONS / MODEL NUMBERS

Required Selections				Optional Selections					
MODEL TYPE	POSITION INDICATOR	CHARACTERIZING CAM	SPOOL VALVE	PORT GAUGES		POSITION TRANSMITTER		PORT GAUGES	
VP <i>Pneumatic</i> 3-15 PSI	Flat 90°	7 Linear	0 Standard	0 Brass	G	4-20 MA	T1	Mechanical	S1
	Flat 180°	8 Square Root	1 Maximum	1 Stainless	Z	1 Kohm	T2	(2) SPDT	
VE <i>Electro-Pneumatic</i> 4-20 MA	Dome 90°	9 Square	2 Extreme Service Standard Flow	2				Proximity	S2
		0-60°	3 Extreme Service Maximum Flow	3				(2) SPDT	
		Equal Precent	4						
VI <i>Electro-Pneumatic</i> General Purpose & Hazardous Locations		Custom	5						
		Tangent	6						
		0-45°	7						