



Manual Worm Gear Operator



Series — Worm Gear Operators are designed to be used as 1/4 turn actuators. For applications on ball, butterfly, plug valves, or dampers requiring a self-locking mechanism.

Torque Range: 1,327 in-lb - 70,800 in-lb



**Gear Operator
Single Stage**



**Gear Operator
Double Stage**

DESIGN FEATURES

- Fully lubricated
- Long life reliability
- Precision machining
- Epoxy coated housing
- Weather proof housing
- Grease fittings standard
- Large diameter input shafts
- Mounting dimensions to ISO-5211
- External fully adjustable end stops
- Rugged compact, heavy-duty construction
- Optional locking device & other features

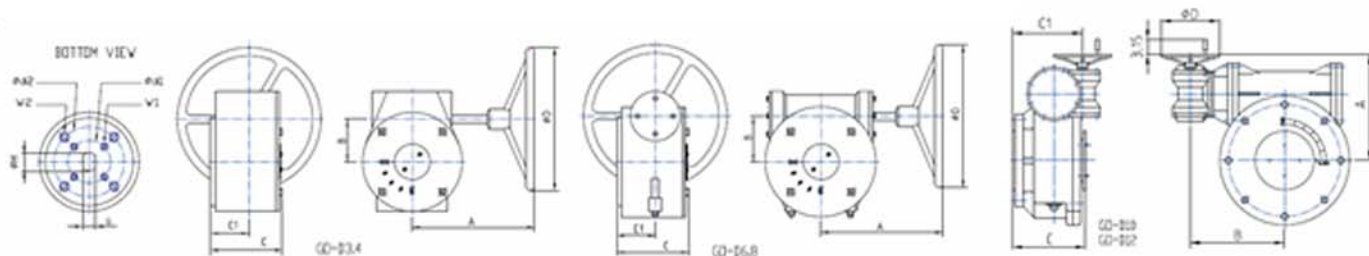


Optional High Visibility Indicator

**MAX-GEAR simplifies gear mounting, eliminating costly key-way machining.
All sizes utilize ISO square drives or Double D drives.**

Manual Worm Gear Operators - Double D Female Drive

Direct Couple Design for Flo-Tite Ball Valves



Model #	Ref. #	Gear Ratio	A	B	C	C1	D	G	H	Mounting Pad 1			Mounting Pad 2			Torque In-Lbs	Weight Lbs
										d1	W1	ISO	d2	W2	ISO		
GO-D3.4	3DB-120	50:1	9.17	3.23	3.23	1.61	11.81	0.67	1.19	2.76	5/16-18UNC	F07	4.02	3/8-16UNC	F10	10620	20
GO-D6.8	3DB-180	80:1	11.18	4.65	4.80	2.40	15.75	1.025	1.78	4.02	3/8-16UNC	F10	5.51	5/8-11UNC	F14	15930	51
GO-D10	3D-30/250	320:1	10.83	6.57	5.12	4.96	11.81	1.380	2.19	4.02	3/8-16UNC	F10	5.51	5/8-11UNC	F14	22125	73
GO-D12	3D-30/400	320:1	11.26	7.68	5.43	5.59	15.75	1.380	2.19	4.92	1/2-13UNC	F12	6.50	3/4-10UNC	F16	35400	110

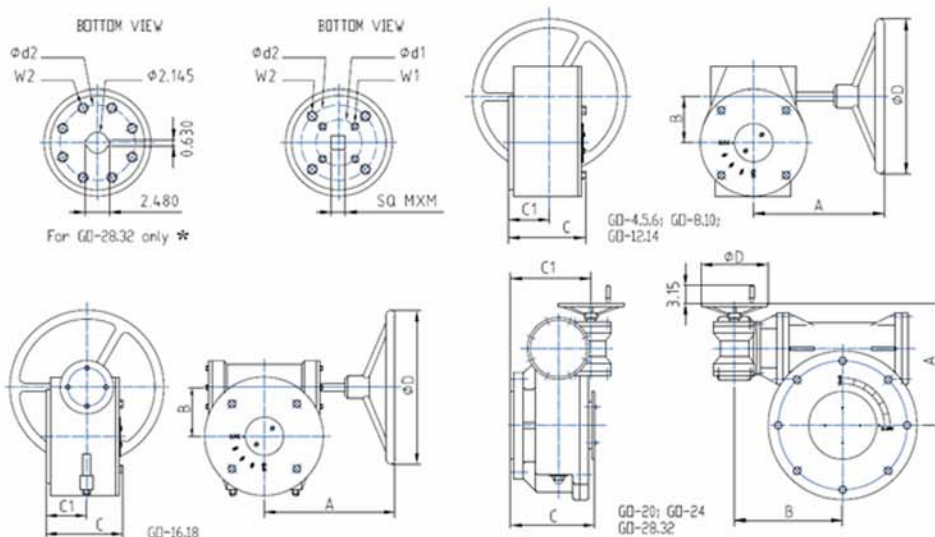
Materials of Major Components

- Housing, Cover: Ductile Iron
- Worm, Gear Wheel: WCB
- Gear Shaft: Forged Steel
- Hand Wheel: Cast Iron

Options

- Locking Device
- Adjustable Memory Stops in Open Position 45° - 90°
- Chain Wheel Operators
- Flow Plan Indicators for Multi-Port Valves
- Special Coatings
- Star Drive

Manual Worm Gear Operators - ISO Square Female Drive



Model #	Ref. #	Gear Ratio	A	B	C	C1	D	M	Mounting Pad 1			Mounting Pad 2			Torque In-Lbs	Weight Lbs
									d1	W1	ISO	d2	W2	ISO		
GO-4.5.6	3DB-015	24:1	6.14	1.89	2.52	1.26	5.91	0.551	1.97	1/4-20UNC	F05	2.76	5/16-18UNC	F07	1327	7
GO-8.10	3DB-050	30:1	9.61	2.68	3.15	1.46	11.81	0.866	2.76	5/16-18UNC	F07	4.02	3/8-16UNC	F10	4425	14.5
GO-12.14	3DB-120	50:1	9.17	3.23	3.23	1.61	11.81	0.866	2.76	5/16-18UNC	F07	4.02	3/8-16UNC	F10	10620	20
GO-16.18	3DB-180	80:1	11.18	4.65	4.80	2.40	15.75	1.063	4.02	3/8-16UNC	F10	5.51	5/8-11UNC	F14	15930	51
GO-20	3D-30/250	320:1	10.83	6.57	5.12	4.96	11.81	1.417	4.02	3/8-16UNC	F10	5.51	5/8-11UNC	F14	22125	73
GO-24	3D-30/400	320:1	11.26	7.68	5.43	5.59	15.75	1.417	4.92	1/2-13UNC	F12	6.50	3/4-10UNC	F16	35400	110
*GO-28.32	3D-60/800	C/F	14.25	9.53	6.81	6.30	16.73	n/a	n/a	n/a	n/a	10.0	M16-2.0	F25	70800	188

* size and turning torque requires that the GO-28.32 have a double key-way drive.