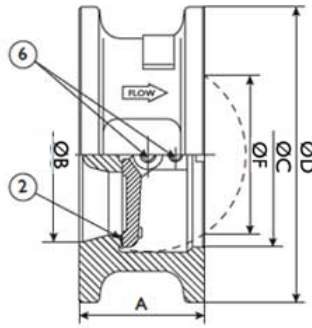
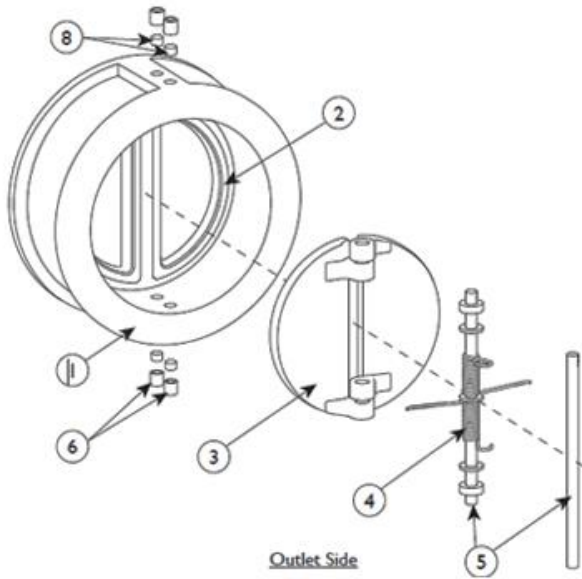




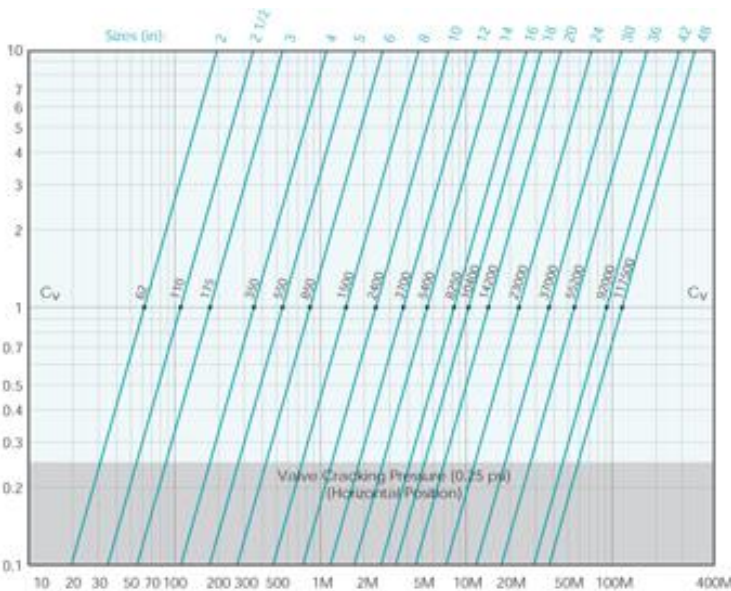
# VCDD-SW1SXT Double Disc Check Valve

Wafer Style, Class 150, SS Body, SS Disc, SS Seat

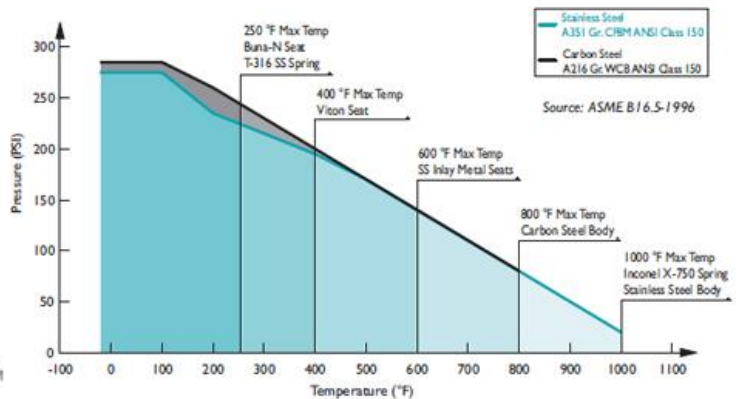


BILL OF MATERIALS		
NO.	PART	MATERIAL
1	Body	Stainless Steel A351 Gr. CF8M
2	Seat	Stainless Steel
3	Disc	Stainless Steel A351 Gr. CF8M
4	Spring	Inconel X-750
5	Shaft/Stop Pin	Stainless Steel A276 Gr. 316
6	Cap	Stainless Steel A276 Gr. 316
7	Eye Bolt	Carbon Steel

DIMENSIONS & PERFORMANCE DATA														
SIZE	2	2.5	3	4	5	6	8	10	12	14	16	18	20	24
A	2.38	2.62	2.88	2.88	3.38	3.87	5.00	5.75	7.12	7.25	7.50	8.00	8.62	8.75
B	2.00	2.50	3.00	4.00	5.00	6.52	8.00	10.00	12.00	13.26	15.24	17.24	19.50	23.42
C	2.16	2.67	3.23	4.25	5.12	6.38	8.66	10.63	12.60	13.78	15.75	17.24	19.50	23.42
D	4.33	5.04	5.31	7.05	8.43	9.81	10.91	13.27	16.02	17.64	20.15	21.54	23.78	28.15
WT	5.5	8.0	10.0	15.5	23.5	36.0	51.5	88.0	131.0	178.0	242.0	276.0	362.0	462.0
F	.94	1.69	2.36	3.54	4.45	5.31	7.13	8.82	10.47	11.81	14.29	15.87	18.03	22.28
Cx	62	110	175	350	550	850	1500	2400	3700	5400	8250	10400	14200	23000



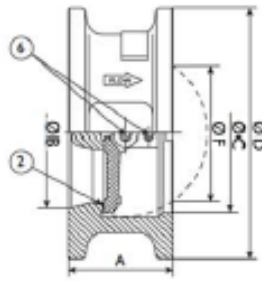
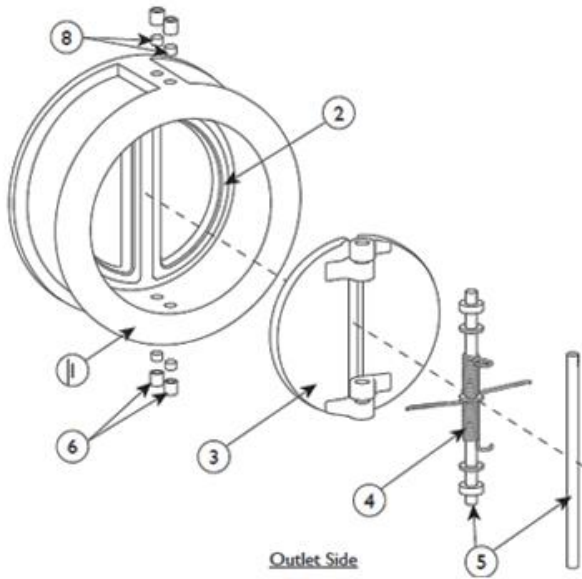
PRESS/TEMP RATINGS	
WOG	275PSI @ 100°F





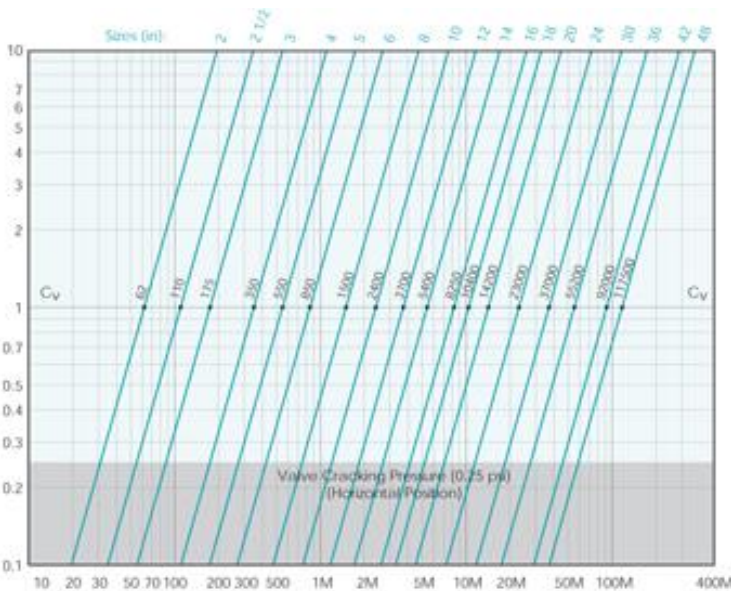
# VCDD-SW1SVT Double Disc Check Valve

Wafer Style, Class 150, SS Body, SS Disc, Viton Seat

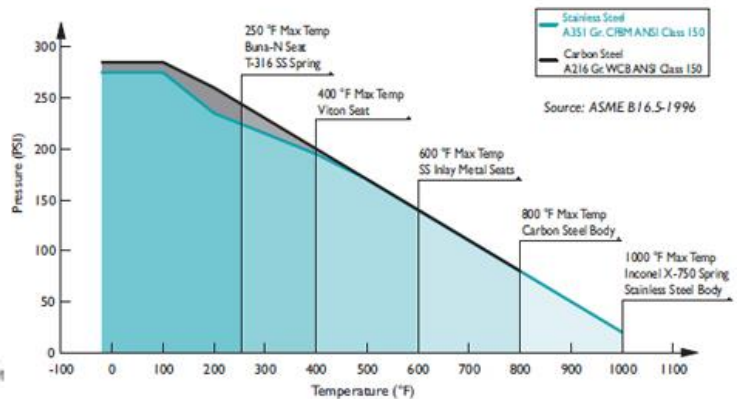


BILL OF MATERIALS		
NO.	PART	MATERIAL
1	Body	Stainless Steel A351 Gr. CF8M
2	Seat	Viton
3	Disc	Stainless Steel A351 Gr. CF8M
4	Spring	Inconel X-750
5	Shaft/Stop Pin	Stainless Steel A276 Gr. 316
6	Cap	Stainless Steel A276 Gr. 316
7	Eye Bolt	Carbon Steel

DIMENSIONS & PERFORMANCE DATA														
SIZE	2	2.5	3	4	5	6	8	10	12	14	16	18	20	24
A (in)	2.38	2.62	2.88	2.88	3.38	3.87	5.00	5.75	7.12	7.25	7.50	8.00	8.62	8.75
B (in)	2.00	2.50	3.00	4.00	5.00	6.52	8.00	10.00	12.00	13.26	15.24	17.24	19.50	23.42
C (in)	2.16	2.67	3.23	4.25	5.12	6.38	8.66	10.63	12.60	13.78	15.75	17.24	19.50	23.42
D (in)	4.33	5.04	5.31	7.05	8.43	9.81	10.91	13.27	16.02	17.64	20.15	21.54	23.78	28.15
WT (lb)	5.5	8.0	10.0	15.5	23.5	36.0	51.5	88.0	131.0	178.0	242.0	276.0	362.0	462.0
F (in)	.94	1.69	2.36	3.54	4.45	5.31	7.13	8.82	10.47	11.81	14.29	15.87	18.03	22.28
Cx	62	110	175	350	550	850	1500	2400	3700	5400	8250	10400	14200	23000



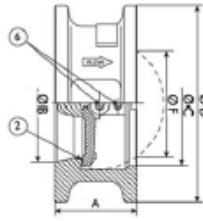
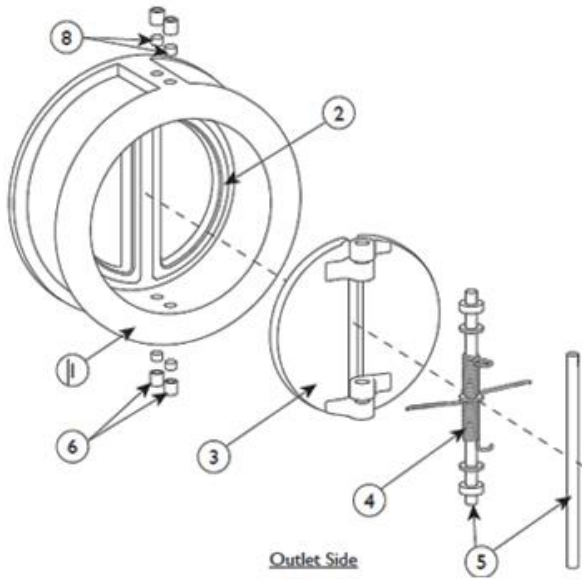
PRESS/TEMP RATINGS	
WOG	275PSI @ 100F
Viton	-40 to 400F MAX
Spring	1000°F





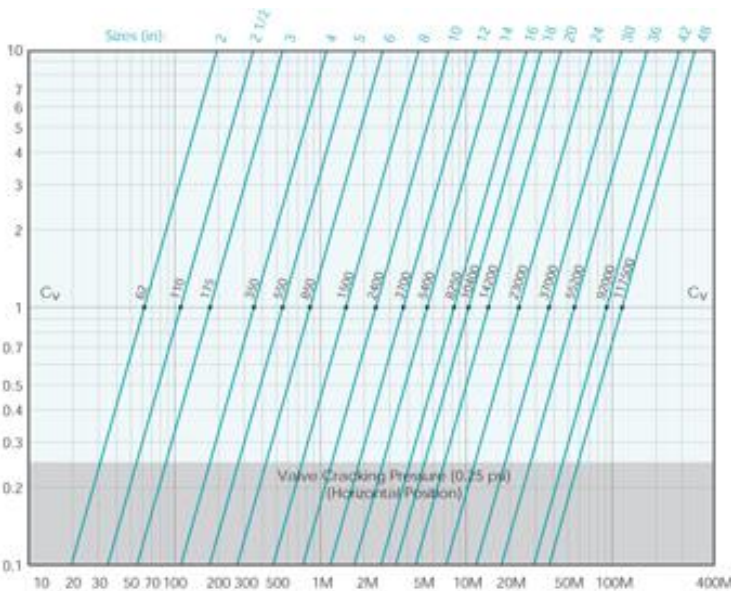
# VCDD-SW2SXT Double Disc Check Valve

Wafer Style, Class 300, SS Body, SS Disc, SS Seat

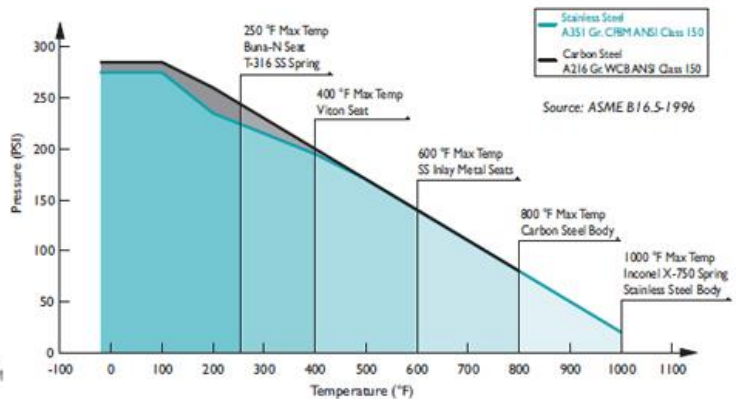


BILL OF MATERIALS		
NO.	PART	MATERIAL
1	Body	Stainless Steel A351 Gr. CF8M
2	Seat	Stainless Steel
3	Disc	Stainless Steel A351 Gr. CF8M
4	Spring	Inconel X-750
5	Shaft/Stop Pin	Stainless Steel A276 Gr. 316
6	Cap	Stainless Steel A276 Gr. 316

DIMENSIONS & PERFORMANCE DATA														
SIZE	2	2.5	3	4	5	6	8	10	12	14	16	18	20	24
A (in)	2.38	2.62	2.88	2.88	3.38	3.88	5.00	5.75	7.12	8.75	9.12	10.38	11.50	12.50
B (in)	4.06	4.81	5.31	6.81	7.69	8.69	12.00	14.13	16.56	19.00	21.13	23.38	25.69	30.38
C (in)	2.00	2.56	3.13	4.00	5.00	6.00	8.00	10.00	12.00	13.25	15.25	17.25	19.50	23.44
D (in)	2.19	2.69	3.25	4.25	5.12	6.50	8.69	10.63	12.63	13.75	15.75	17.25	19.50	23.44
E (in)	0.75	1.69	2.38	3.56	4.44	5.31	7.13	8.75	10.44	11.81	14.19	15.81	17.81	21.63
WT (lb)	5.5	8.0	10.0	15.5	23.5	36.0	66.0	102.0	156.0	236.0	302.0	390.0	540.0	670.0
Cx	62	110	175	350	550	850	1500	2400	3700	5400	8250	10400	14200	23000



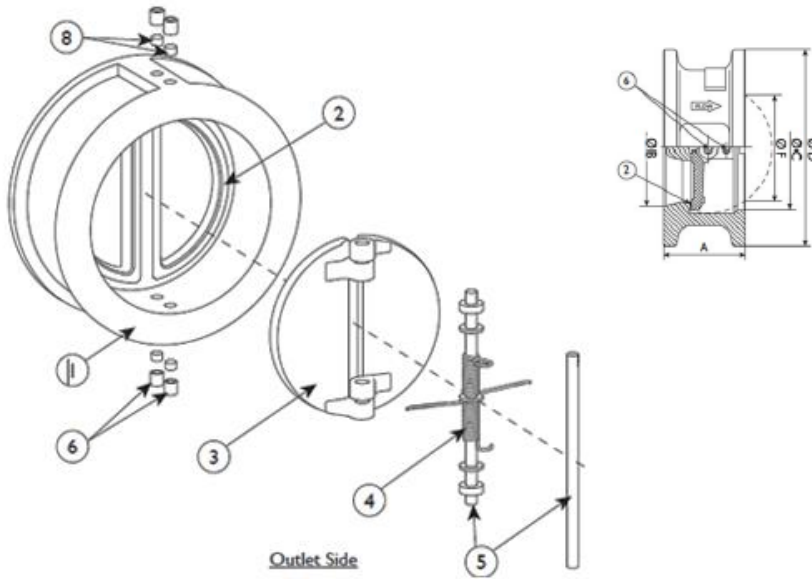
PRESS/TEMP RATINGS	
WOG	740PSI @ 100°F





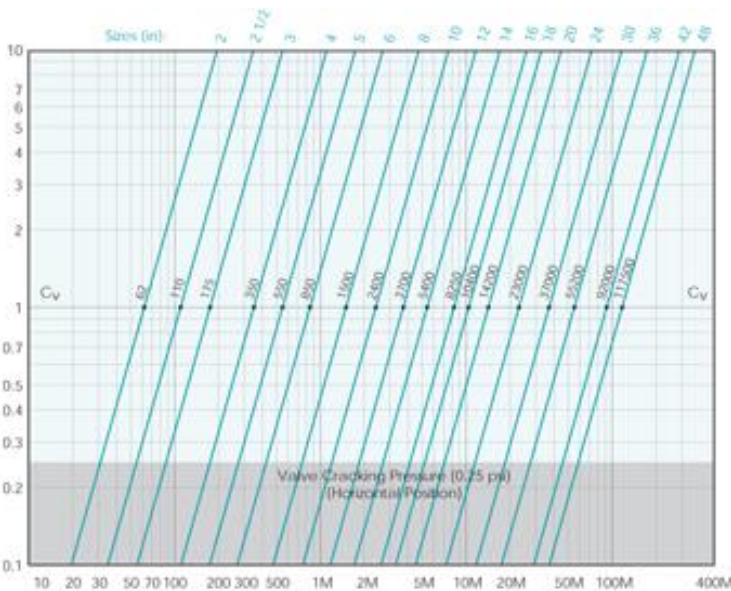
# VCDD-SW2SVT Double Disc Check Valve

Wafer Style, Class 300, SS Body, SS Disc, Viton Seat

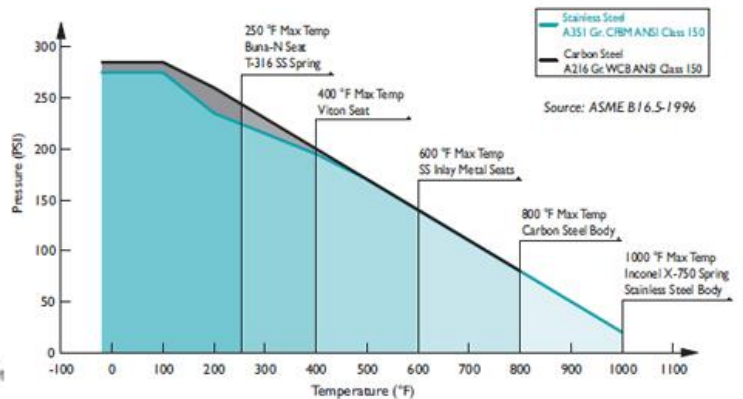


BILL OF MATERIALS		
NO.	PART	MATERIAL
1	Body	Stainless Steel A351 Gr. CF8M
2	Seat	Viton
3	Disc	Stainless Steel A351 Gr. CF8M
4	Spring	Inconel X-750
5	Shaft/Stop Pin	Stainless Steel A276 Gr. 316
6	Cap	Stainless Steel A276 Gr. 316

DIMENSIONS & PERFORMANCE DATA														
SIZE	2	2.5	3	4	5	6	8	10	12	14	16	18	20	24
A (in)	2.38	2.62	2.88	2.88	3.38	3.88	5.00	5.75	7.12	8.75	9.12	10.38	11.50	12.50
B (in)	4.06	4.81	5.31	6.81	7.69	8.69	12.00	14.13	16.56	19.00	21.13	23.38	25.69	30.38
C (in)	2.00	2.56	3.13	4.00	5.00	6.00	8.00	10.00	12.00	13.25	15.25	17.25	19.50	23.44
D (in)	2.19	2.69	3.25	4.25	5.12	6.50	8.69	10.63	12.63	13.75	15.75	17.25	19.50	23.44
E (in)	0.75	1.69	2.38	3.56	4.44	5.31	7.13	8.75	10.44	11.81	14.19	15.81	17.81	21.63
WT (lb)	5.5	8.0	10.0	15.5	23.5	36.0	66.0	102.0	156.0	236.0	302.0	390.0	540.0	670.0
Cx	62	110	175	350	550	850	1500	2400	3700	5400	8250	10400	14200	23000



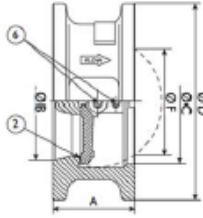
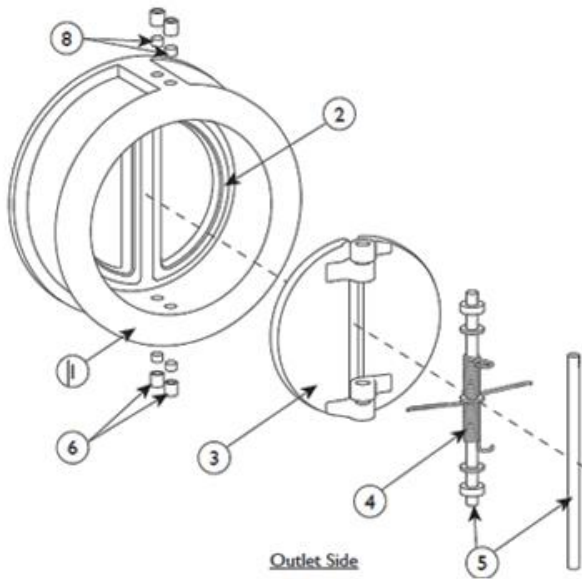
PRESS/TEMP RATINGS	
WOG	740PSI @ 100°F
Viton	-40 to 400°F MAX
Spring	1000°F





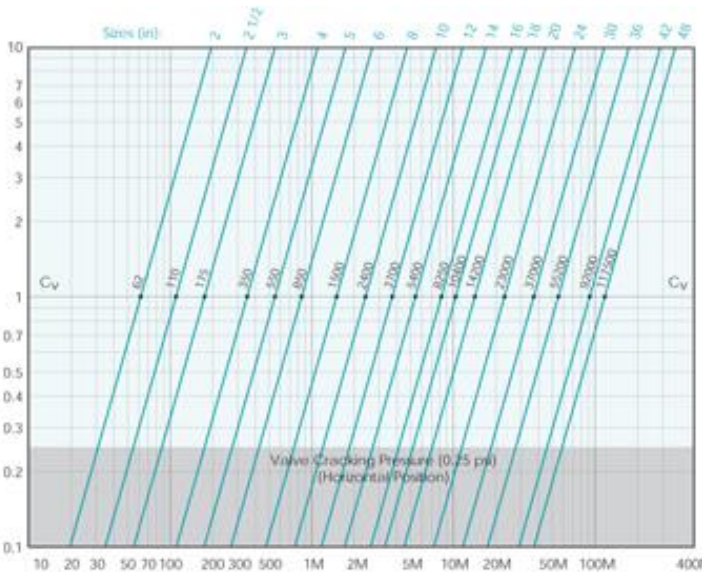
# VCDD-SW3SXT Double Disc Check Valve

Wafer Style, Class 600, SS Body, SS Disc, SS Seat

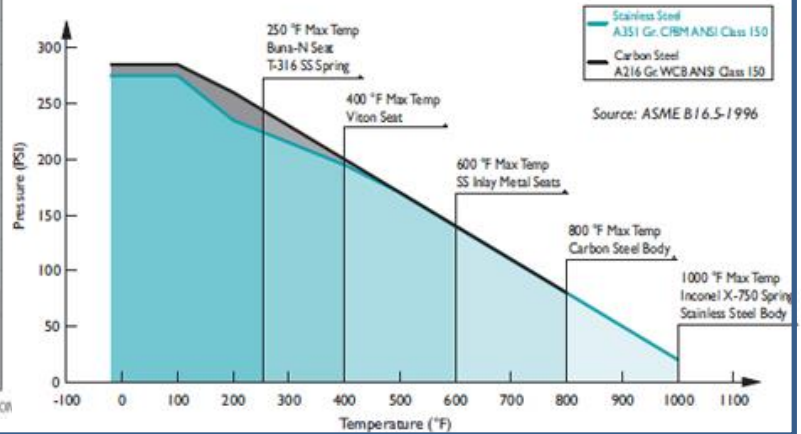


BILL OF MATERIALS		
NO.	PART	MATERIAL
1	Body	Stainless Steel A351 Gr. CF8M
2	Seat	Stainless Steel
3	Disc	Stainless Steel A351 Gr. CF8M
4	Spring	Inconel X-750
5	Shaft/Stop Pin	Stainless Steel A276 Gr. 316
6	Cap	Stainless Steel A276 Gr. 316

DIMENSIONS & PERFORMANCE DATA														
SIZE	2	2.5	3	4	5	6	8	10	12	14	16	18	20	24
A	2.375	2.625	2.875	3.125	4.125	5.375	6.50	8.375	9.00	10.75	12.00	14.25	14.50	17.25
B	4.312	5.062	5.812	7.50	9.437	10.375	12.50	15.697	17.937	19.312	22.125	24.00	26.75	30.937
C	2.00	2.562	3.00	4.00	5.00	6.00	7.875	9.843	11.812	13.187	15.156	17.125	19.187	23.031
D	2.187	2.687	3.25	4.25	5.125	6.5	8.25	10.062	11.812	13.187	15.156	17.125	19.187	23.031
WT	6	13	12	20	35	57	109	207	300	420	627	820	1015	1690
Cx	45	95	140	200	400	580	1350	1850	2500	4800	5520	7500	10300	11100



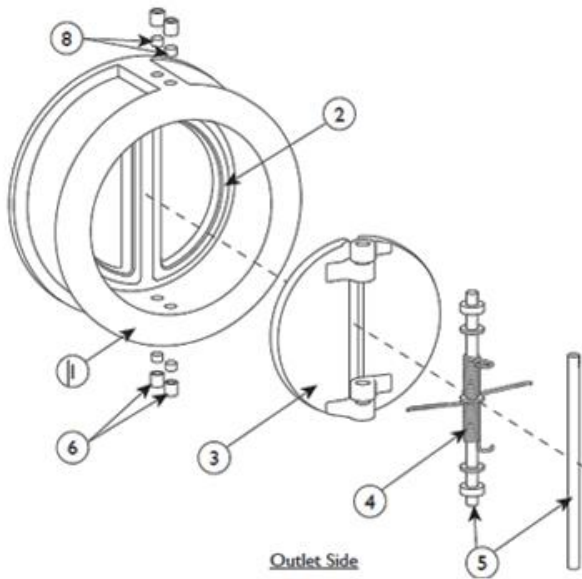
PRESS/TEMP RATINGS	
WOG	1440PSI @ 100°F





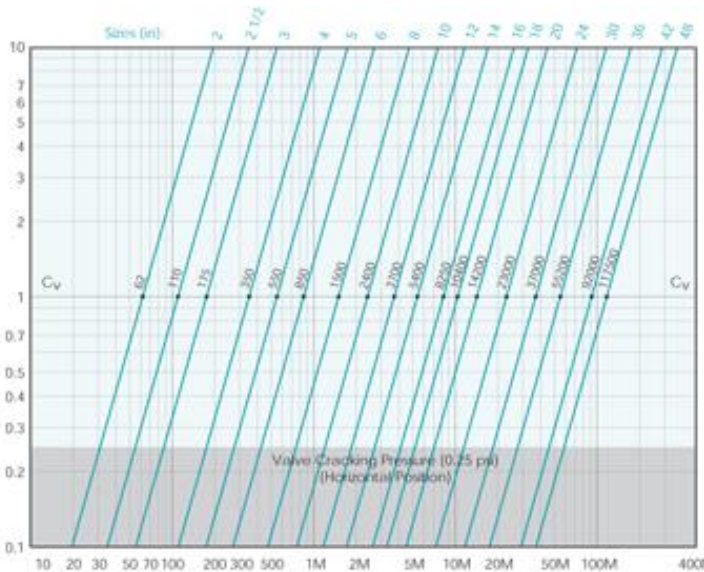
# VCDD-SW4SXT Double Disc Check Valve

Wafer Style, Class 900, SS Body, SS Disc, SS Seat



BILL OF MATERIALS		
NO.	PART	MATERIAL
1	Body	Stainless Steel A351 Gr. CF8M
2	Seat	Stainless Steel
3	Disc	Stainless Steel A351 Gr. CF8M
4	Spring	Inconel X-750
5	Shaft/Stop Pin	Stainless Steel A276 Gr. 316
6	Cap	Stainless Steel A276 Gr. 316

DIMENSIONS & PERFORMANCE DATA														
SIZE	2	2.5	3	4	5	6	8	10	12	14	16	18	20	24
A	2.75	3.25	3.25	4.00	C/F	6.25	8.125	9.50	11.50	14.00	15.125	17.75	17.75	19.50
B	5.50	6.50	6.625	8.062	C/F	11.25	14.00	17.00	19.50	20.50	22.50	25.062	27.375	32.875
C	2.00	C/F	3.00	3.875	C/F	5.875	7.875	9.375	11.812	12.812	14.937	16.75	18.70	22.437
D	2.187	C/F	3.25	4.25	C/F	6.312	8.25	10.062	11.812	12.812	14.937	16.75	18.687	22.437
WT	13	19	22	38	66	178	300	465	655	875	1170	1322	1390	2650
Cx	40	80	120	190	380	500	1000	1500	1900	2900	4500	7000	9000	10800



PRESS/TEMP RATINGS	
WOG	2160PSI @ 100F

