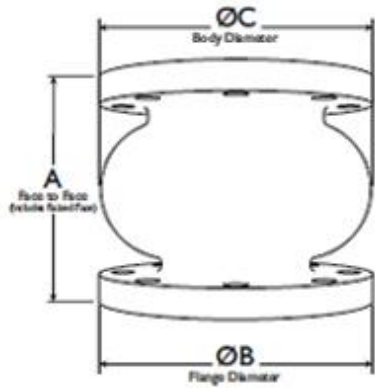


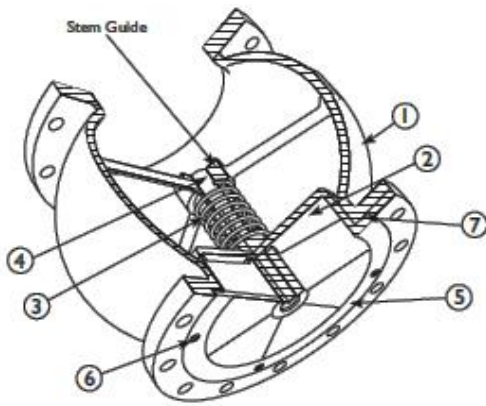


# VCSIL-SG1SXT Silent Check Valve

Globe Style, Class 150, SS Body, SS Disc, SS Seat

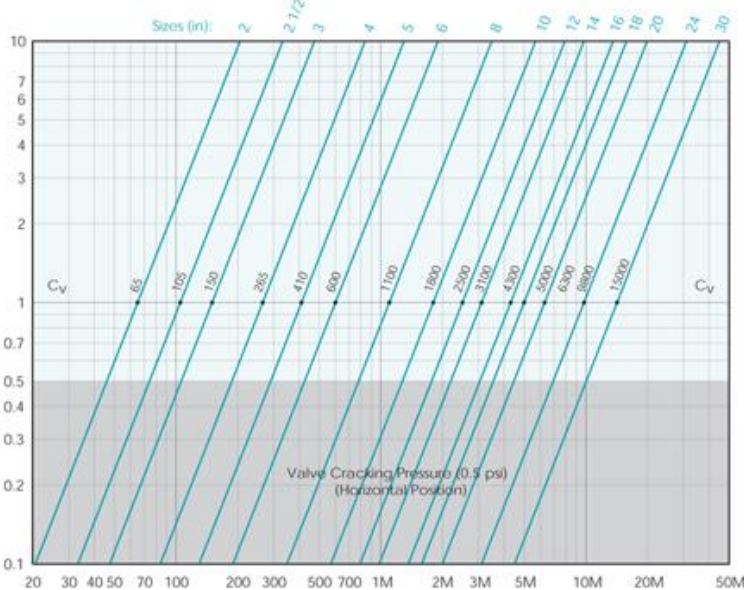


DESIGN WITH INTEGRAL STRAIGHTENING VANES

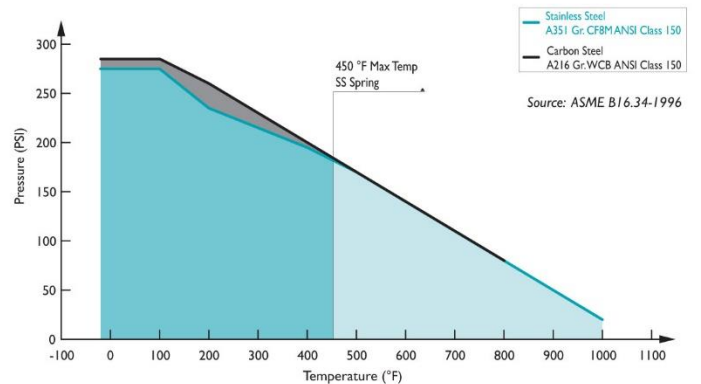


BILL OF MATERIALS		
NO.	PART	MATERIAL
1	Body	Stainless Steel A351 Gr. CF8M Type 316
2	Disc	Stainless Steel A351 Gr. CF8M Type 316
3	Spring	Series 300 Stainless Steel
4	Bushing	Stainless Steel
5	Seat	Stainless Steel Gr. CF8M Type 316
6	Set Screw	Stainless Steel
7	Gasket	Non-asbestos Gasket

DIMENSIONS & PERFORMANCE DATA														
SIZE	2	2.5	3	4	5	6	8	10	12	14	16	18	20	24
A (in)	6.25	C/F	7.55	8.50	C/F	10.50	12.0	14.0	18.0	19.50	21.0	22.5	24.0	24.0
B (in)	6.00	C/F	7.50	9.00	C/F	11.00	13.50	16.00	19.00	21.00	23.5	25.0	27.5	32.0
C (in)	4.63	C/F	6.63	8.62	C/F	11.13	15.84	17.69	21.25	24.0	26.5	29.0	32.75	37.0
WT (lb)	15.2	C/F	30.0	49.0	C/F	80.0	138.0	165.0	310.0	420.0	593.0	690.0	970.0	1500
Cx	65	C/F	150	265	C/F	600	1100	1800	2500	3100	4800	6100	7800	9800



PRESS/TEMP RATINGS	
WOG	275PSI @ 100°F
Stainless Steel	-325 to 1500°F
Spring	450°F

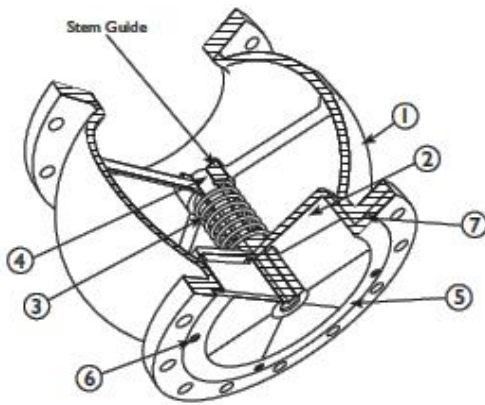
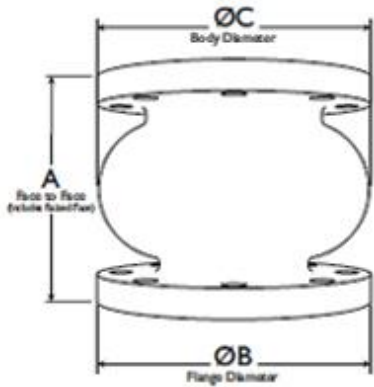




# VCSIL-SG2SXT Silent Check Valve

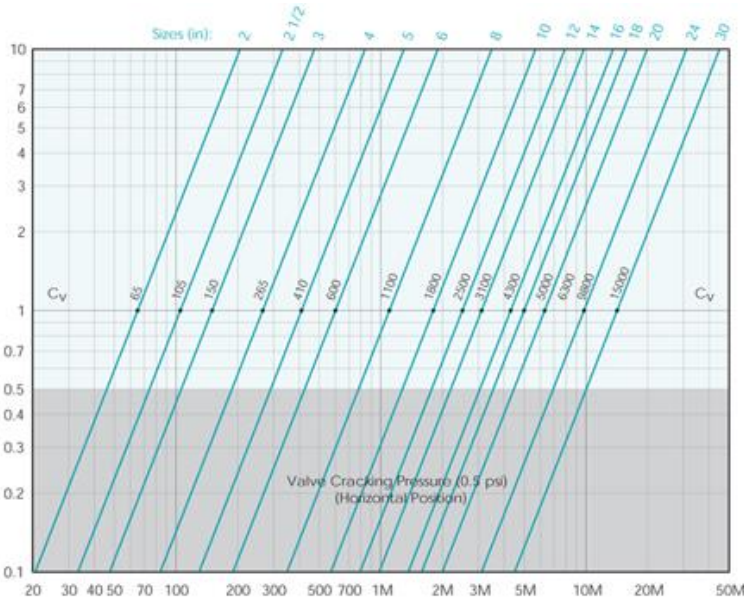
Globe Style, Class 300, SS Body, SS Disc, SS Seat

DESIGN WITH INTEGRAL  
**STRAIGHTENING  
VANES**



BILL OF MATERIALS		
NO.	PART	MATERIAL
1	Body	Stainless Steel A351 Gr. CF8M Type 316
2	Disc	Stainless Steel A351 Gr. CF8M Type 316
3	Spring	Series 300 Stainless Steel
4	Bushing	Stainless Steel
5	Seat	Stainless Steel Gr. CF8M Type 316
6	Set Screw	Stainless Steel
7	Gasket	Non-asbestos Gasket

DIMENSIONS & PERFORMANCE DATA										
SIZE	2	2.5	3	4	5	6	8	10	12	14
A (in)	6.69	7.56	8.25	9.12	C/F	11.38	13.0	15.38	19.5	21.0
B (in)	6.50	7.50	8.25	10.0	C/F	12.5	15.0	17.5	20.5	23.0
C (in)	4.63	5.75	6.63	8.62	C/F	11.13	15.84	17.69	21.5	24.0
WT (lb)	18.0	26.0	38.5	61.0	101.0	109.0	196.0	272.0	430.0	506.5
Cx	65	105	150	265	410	600	1100	1800	2500	3100



PRESS/TEMP RATINGS	
WOG	720PSI @ 100°F
Stainless Steel	-325 to 1500°F MAX
Spring	450°F MAX

