



PVC & CPVC BUTTERFLY VALVE

150# STANDARD & LUG TYPES

The Stayflow Butterfly Valve design in PVC or CPVC provide exceptional chemical and corrosion resistance and improves on traditional liner-seat type valve to eliminate seat creep, reduce operating torque and provide positive seal-off. Ideally suited for flow control or throttling, this high-performance valve is offered with a full variety of options for greater application versatility in industrial and chemical processing applications. Available in Standard or Lug designs.

FEATURES

- Standard Design valve through 12" accepts flange bolts through guided holes.
- Lug Insert Design valve option through 12" has factory installed SS316 or zinc plated steel lug inserts designed for connection to either side of valve for dead end service.
- Buna-N, EPDM or FKM Seat & Seals
- Valves with EPDM Seals & Seats are NSF® Certified for Potable water use.
- Special off-set Disc lifts quickly from seat to reduce wear and reduce operating torque.
- Patented Limited Contact Seat design provides free travel - eliminates seat creep, extrusion and wear. Field replaceable without full valve disassembly.
- Interlocking Body & Seat prevents wash-out or blow-out.
- Fully Isolated Solid Type 316L Stainless Steel Stem
- Reversible High Impact Polypropylene Lever Handle with 7-Position stops & Built-in Lockout (standard handle on 1-1/2" – 8" valves; not available on 10" & larger valves)
- High Efficiency Gear Operator with Cast Aluminum Housing, Polypropylene Handwheel, and Built-in Position Indicator (available for all sizes; standard on 10" & larger valves)
- Pressure Rated to 150 psi @ 73°F including Dead-End Service through 12", 14" to 100 psi, 16" to 85 psi.
- ANSI/ASME B16.5 Class 150 Bolt Pattern

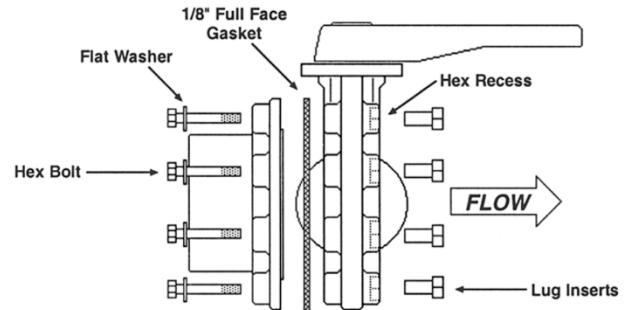


**LEVER HANDLE
STANDARD DESIGN
SIZES 1-1/2" to 8"**

**GEAR OPERATOR
LUG INSERT DESIGN**

PRESSURE (PSIG) @ TEMPERATURE

SIZE	MATERIAL	73 (F°)	100 (F°)	140 (F°)	180 (F°)	200 (F°)
1-1/2 - 12	PVC	150	150	50	0	0
	CPVC	150	150	110	70	50
14	PVC	100	100	50	0	0
	CPVC	100	100	80	60	50
16	PVC	85	85	45	0	0
	CPVC	85	85	57	45	40



**Factory installed lug option available
for "Dead-Head" servicing.**

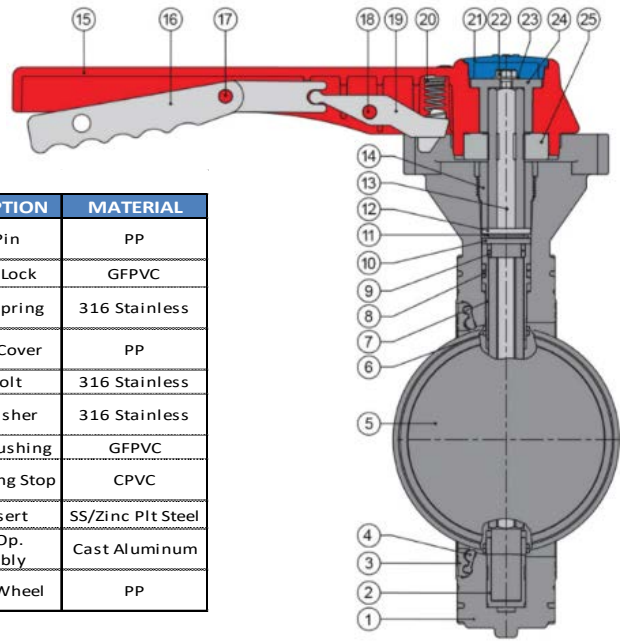
WEIGHTS (lbs) & PERFORMANCE

VALVE SIZE	Cv - Degrees Open						LEVER HANDLE Wt (lb)	GEAR HANDLE Wt (lb)	OPERATING TORQUE (in-lbs)
	15°	30°	45°	60°	75°	90°			
1-1/2	2	8	2	36	61	81	2.59	6.27	6.27
2	3	11	27	49	82	109	3.34	7.89	7.89
2-1/2	5	19	48	86	144	192	4.11	8.66	8.66
3	9	35	86	155	259	345	6.29	9.48	9.48
4	10	41	103	185	308	411	7.91	11.08	11.08
6	28	113	281	506	844	1125	13.31	16.93	16.93
8	56	225	562	1012	1687	2249	19.67	23.28	23.28
10	111	444	1110	1998	3330	4440	NA	33.45	33.45
12	158	631	1577	2839	4732	6309	NA	46.97	46.97
14	176	705	1762	3172	5286	7048	NA	85.87	85.87
16	211	846	2114	3805	6341	8455	NA	CALL	CALL



PVC & CPVC BUTTERFLY VALVE 150# STANDARD & LUG TYPES

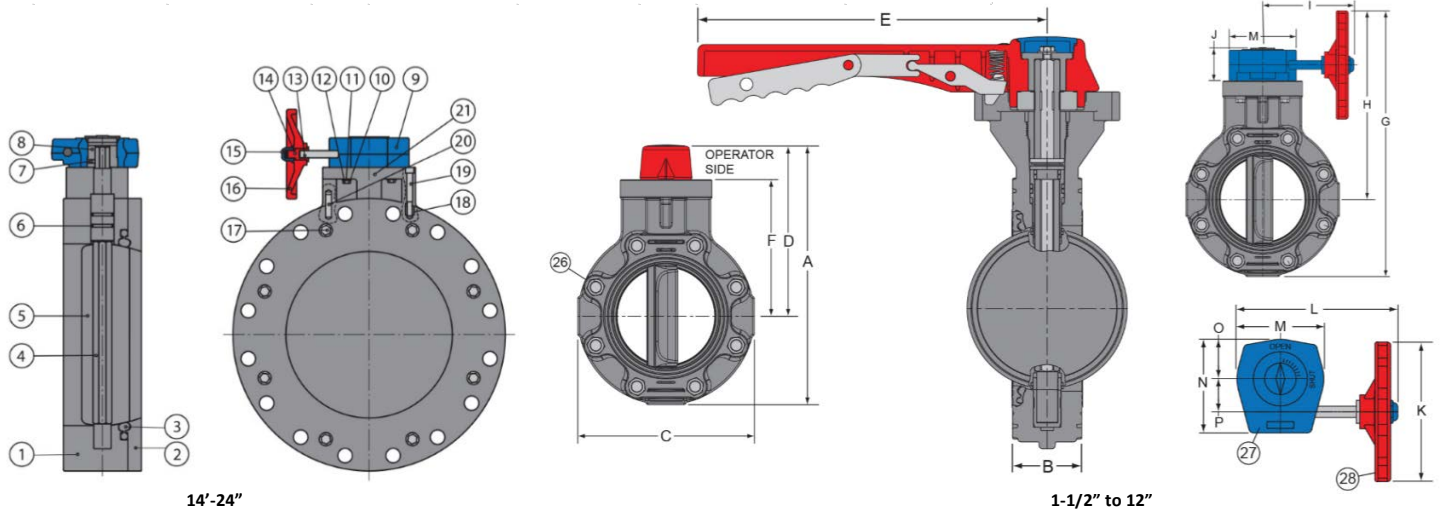
ELECTRIC & PNEUMATIC ACTUATORS ARE AVAILABLE. CALL FACTORY FOR DETAILS.



BILL OF MATERIALS

ITEM	DESCRIPTION	MATERIAL	ITEM	DESCRIPTION	MATERIAL	ITEM	DESCRIPTION	MATERIAL
1	Body	PVC/CPVC	11	Stem Washer Slot	316 Stainless	18	Lock Pin	PP
2	Stem Bearing	PTFE/GFPP	11 ²	Lock Washer	316 Stainless	19	Handle Lock	GFPVC
3	Seal Carrier	PVC/CPVC	12	Stem Washer Round	PTFE/GFPP	20	Handle Spring	316 Stainless
4	Seat	BUNA-N/EPDM /FKM	12 ²	Hex Head Cap Screw	316 Stainless	21	Handle Cover	PP
5	Disc	PVC/CPVC	13	Stem	316 Stainless	22	Hex Bolt	316 Stainless
6	Disc O-ring B	BUNA-N/EPDM /FKM	13 ²	Handwheel Pin	316 Stainless	23	Flat Washer	316 Stainless
7	Stem Bushing	PTFE/GFPP	14	Stem Nut	PVC/CPVC	24	Handle Bushing	GFPVC
8	Stem Bushing O-Ring	BUNA-N/EPDM /FKM	14 ²	Handwheel Adapter	GFPVC	25	Disc Timing Stop	CPVC
8 ²	Drive Bushing	Steel	15	Handle Body	PP	26	Lug Insert	SS/Zinc Plt Steel
9	Stem O-Ring	BUNA-N/EPDM /FKM	15 ²	Handwheel Nut	PP	27	Gear Op. Assembly	Cast Aluminum
9 ²	Gear Operator	Epoxy Coated Aluminum	16	Handle Grip	GFPVC	28	Handle Wheel	PP
10	Stem Washer Hex	PTFE/GFPP	16 ²	Handwheel	PP			
10 ²	Flat Washer	316 Stainless	17	Grip Pin	PP			

- 1. - Slotted washers used on 6" and larger
- 2. - Gear operated components



DIMENSIONS (in)

SIZE	A	B	C	D	E	F	G	H	I	J	K	L	M	N	O	P
1-1/2	8-5/32	1-9/16	5	5-19/32	9-3/32	4-3/32	11-5/32	8-21/32	6-7/16	2-3/8	8	8-13/16	4-13/16	5-3/16	2-13/16	1-27/32
2	9-11/32	1-15/16	6	6-13/32	9	4-3/4	13-1/8	10-1/8	6-7/16	2-3/8	8	8-13/16	4-13/16	5-3/16	2-13/16	1-27/32
2-1/2	10-9/32	2	7	6-25/32	9-1/4	5-1/4	13-1/8	9-5/8	6-7/16	2-3/8	8	8-13/16	4-13/16	5-3/16	2-13/16	1-27/32
3	11-1/2	2-3/32	7-1/2	7-27/32	12	5-5/8	14-5/32	10-17/32	6-7/16	2-3/8	8	8-13/16	4-13/16	5-3/16	2-13/16	1-27/32
4	13	2-9/32	9	8-1/2	12	6-1/4	15-5/8	11-1/8	6-7/16	2-3/8	8	8-13/16	4-13/16	5-3/16	2-13/16	1-27/32
6	16-19/32	2-3/4	10-31/32	11-3/32	13-7/8	8-19/32	19-7/32	13-23/32	6-7/16	2-13/32	7-15/16	8-7/8	4-27/32	5-5/32	2-7/32	1-27/32
8	18-5/8	2-15/16	13-1/2	12	13-15/16	9-1/2	21-7/16	14-11/16	6-7/16	2-13/32	7-15/16	8-7/8	4-27/32	5-5/32	2-7/32	1-27/32
10	NA	3-1/4	16	NA	NA	11	26-5/8	18-5/8	7-1/8	2-3/8	8	9-13/16	5-3/8	5-15/16	2-7/16	2-11/32
12	NA	3-1/2	19	NA	NA	12	29-1/8	19-5/8	7-1/8	2-3/8	8	9-13/16	5-3/8	5-15/16	2-7/16	2-11/32
14	NA	6-1/4	NA	NA	NA	13-3/16	29	18-1/2	7-3/8	2-9/16	8	10-13/16	6-7/8	7-7/16	3-1/8	3
16	NA	6-3/4	NA	NA	NA	14-7/16	31-1/2	19-3/4	7-3/8	2-9/16	8	10-13/16	6-7/8	7-7/16	3-1/8	3

Suitable for oil free air handling to 25 psig. Not for distribution of compressed air or gas.
For larger sizes see standard flanged polypropylene butterfly valves